

# Prism XL Swivel Espresso

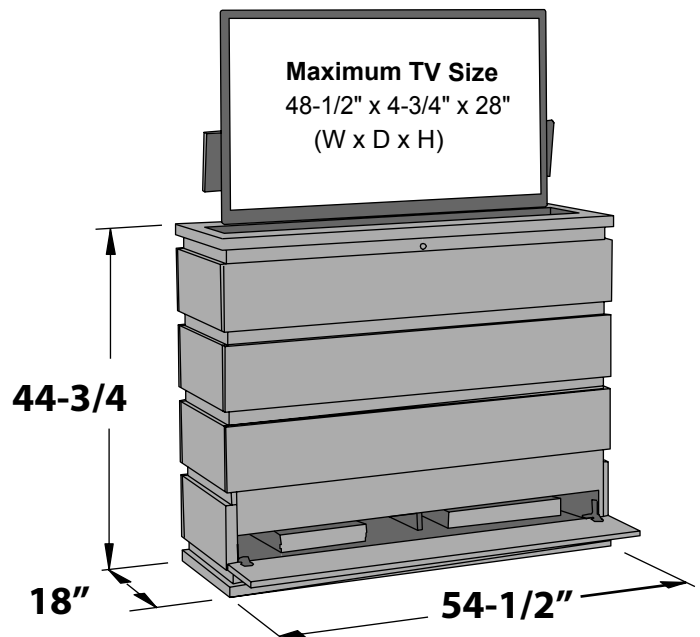
## TV Lift Cabinet (Foot of the Bed Unit)

### Cabinet Features:

- Made with solidwood in the USA by Amish craftsmen.
- Ships fully assembled.
- Built-in Infrared Relay System.
- Two flip down panels allow you to store DVD players, cable boxes, etc.
- Multi-step stain and scratch resistant finish.
- Fully ventilated to allow for generous air circulation.

### Lift Features:

- 360 deg. electric swivel
- Fully assembled and pre-installed.
- 1 year in home parts and labor warranty.
- Radio Frequency Remote.
- Certified Crestron Intergrated Partner
- Built in RJ45 Port.
- Built in safety features.
- Universal TV mounting bracket included.
- Pre-installed Heavy-duty rack and pinion drive system.
- Smooth and stable travel.
- Nearly silent operation.
- Welded steel construction.
- Thermal overload protection.
- Manual controls included.
- Patent pending.



**Infrared relay system** provides a window from your handheld remotes to your TV and audio components even though they are concealed inside the cabinet. No programming required!



Radio frequency remote for operating TV lift mechanism