

# Suite Black

## TV Lift Cabinet

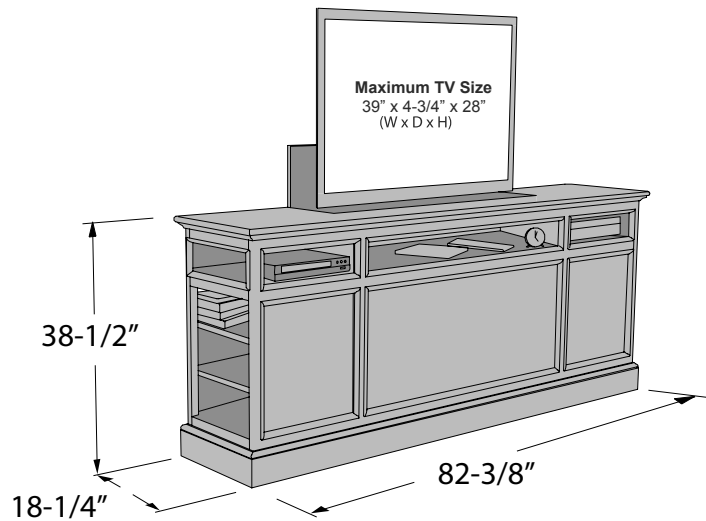
### Cabinet Features:

- Made in USA.
- Ships fully assembled.
- Expertly crafted of solid Maple.
- Finished on all four sides so it may be used at the foot of the bed, against the wall or free standing.
- Cabinet may be moved/swiveled thanks to its 6 castor wheels.
- Full 1 year in-home warranty.
- Max. TV Size: 39" x 28" x 4-3/4"
- Max. Loading Weight: 80 pounds (most 42" TV's weigh 35 pounds)
- Lift: Rack and pinion – UL Recognized
- Two adjustable shelves on each side.



### Lift Features:

- Fully assembled and pre-installed.
- 1 year in home parts and labor warranty.
- Radio Frequency Remote.
- Thermal overload protection.
- Certified Crestron Intergrated Partner
- Built in safety features.
- Universal TV mounting bracket included.
- Pre-installed Heavy-duty rack and pinion drive system.
- Smooth and stable travel.
- Nearly silent operation.
- Welded steel construction.
- Thermal overload protection.
- Manual controls included, Patent pending.



Radio frequency remote.  
for operating TV lift mechanism