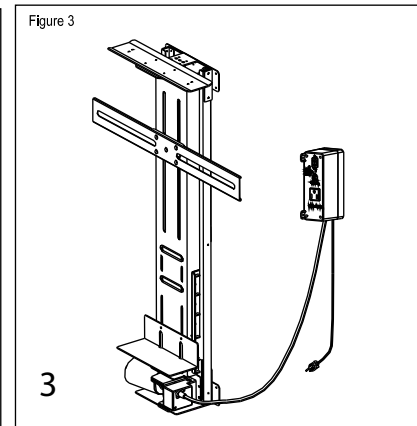
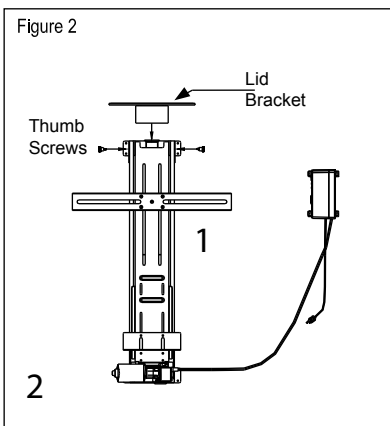
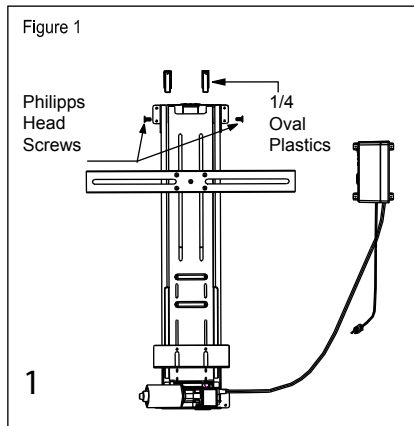
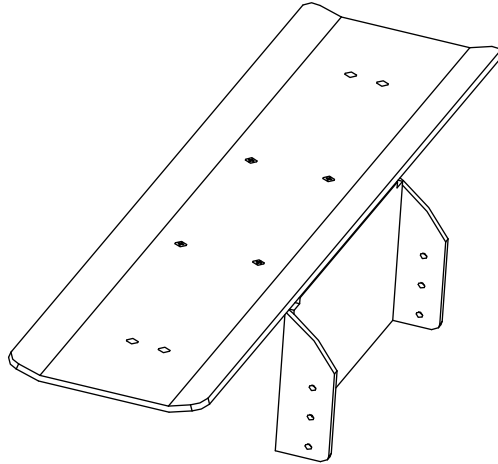


Installing the Fixed Lid Bracket



1. Loosen the two Philips head screws (Fig. 1) and remove both $\frac{1}{4}$ oval plastic pieces.
2. Insert the fixed lid bracket and fasten using both supplied thumb screws (Fig. 2).
3. The completed unit should look like (Fig. 3).