



## Installing the Lift in your Furniture

Thank you for choosing TVLiftCabinet.com. This lift is designed to support TV's with a maximum weight of 80 lbs.

**MISSING PARTS or HAVE QUESTIONS?**

**CALL 561-417-0999**

**DO NOT RETURN TO STORE.**

**Our customer service will address any missing parts, damage, and questions so you do not have to return your TV lift.**

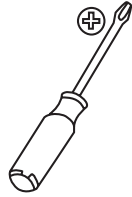
**⚠ WARNING**

This product contains small items that could be a choking hazard if swallowed. Keep these items away from young children!

**⚠ CAUTION**

Do not use this product for any purpose not explicitly specified by TVLiftCabinet. Improper assembly may cause property damage or personal injury. If you do not understand with these directions, or have doubts about the safety of the assembly, contact Customer Service or call a qualified contractor. TVLiftCabinet is not responsible for damage or injury caused by incorrect assembly or use.

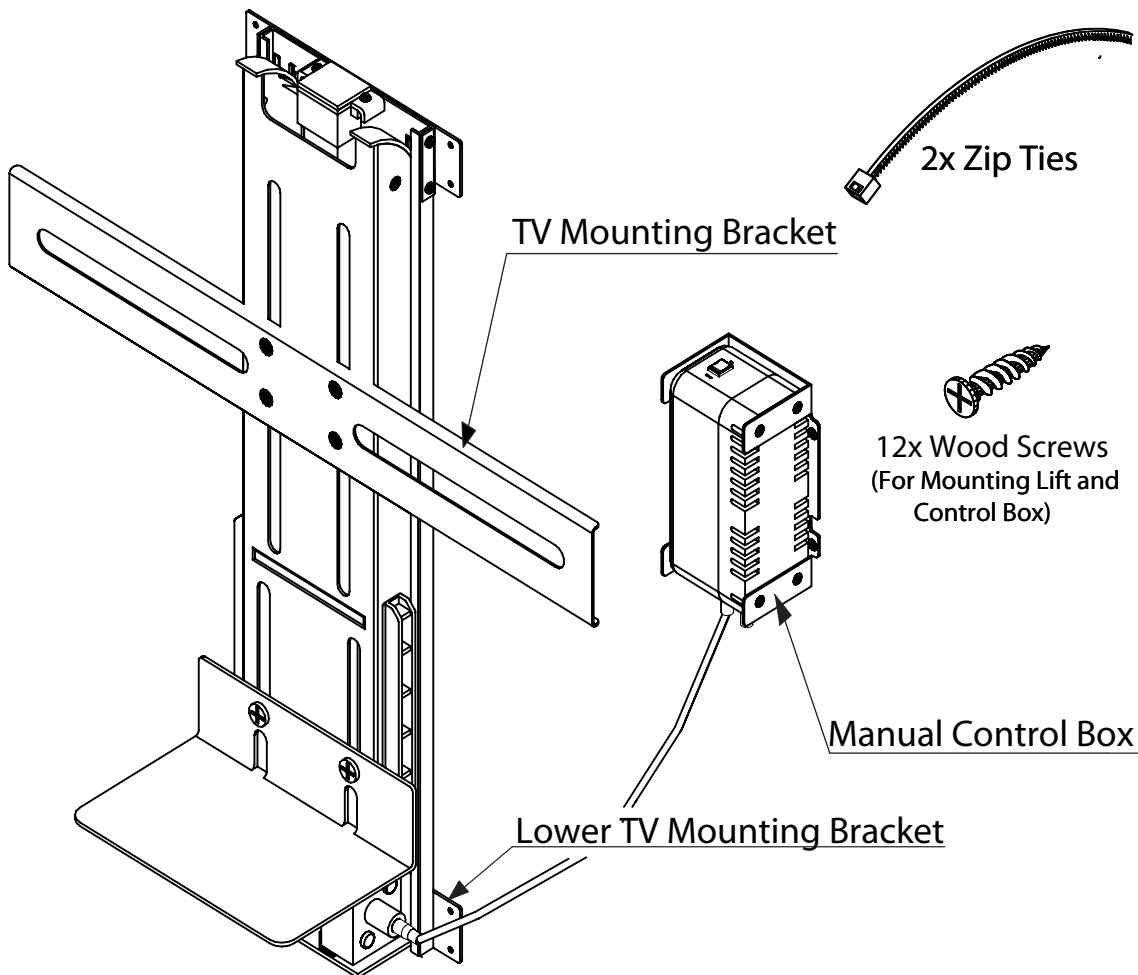
# 1: Tool and Parts Required For Installation



Philips Screw Driver  
(not included)



1x Radio Frequency  
Remote Control



TV Mounting Bracket

2x Zip Ties

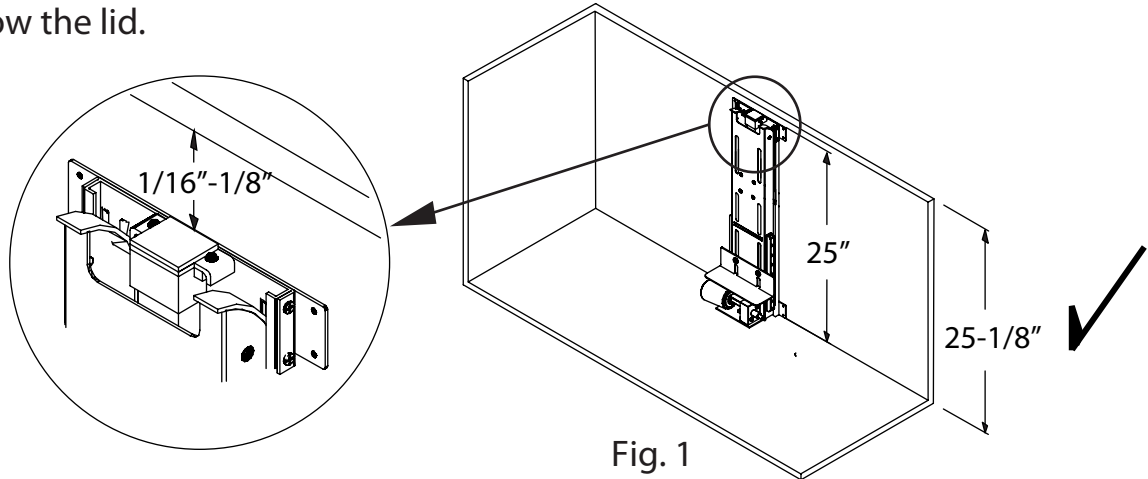
12x Wood Screws  
(For Mounting Lift and  
Control Box)

Manual Control Box

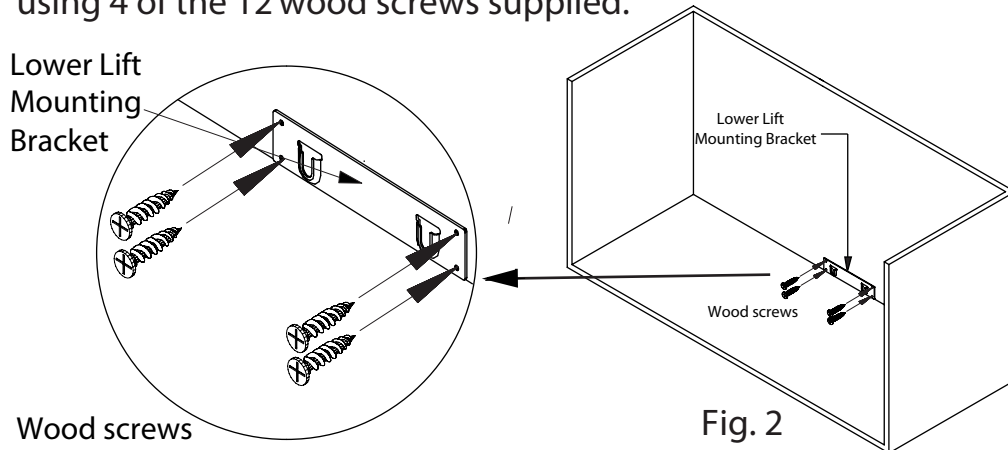
Lower TV Mounting Bracket

## 2: Installation Instructions

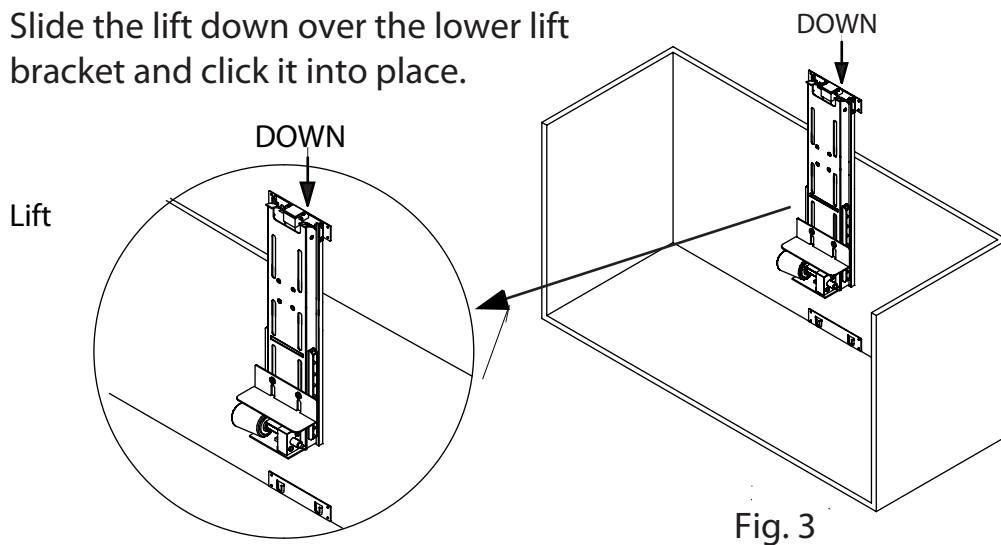
- 1) Check to make sure the interior height for the lift is  $1/8''$  taller than the lift. Mount the lift  $1/16'' - 1/8''$  below the lid.



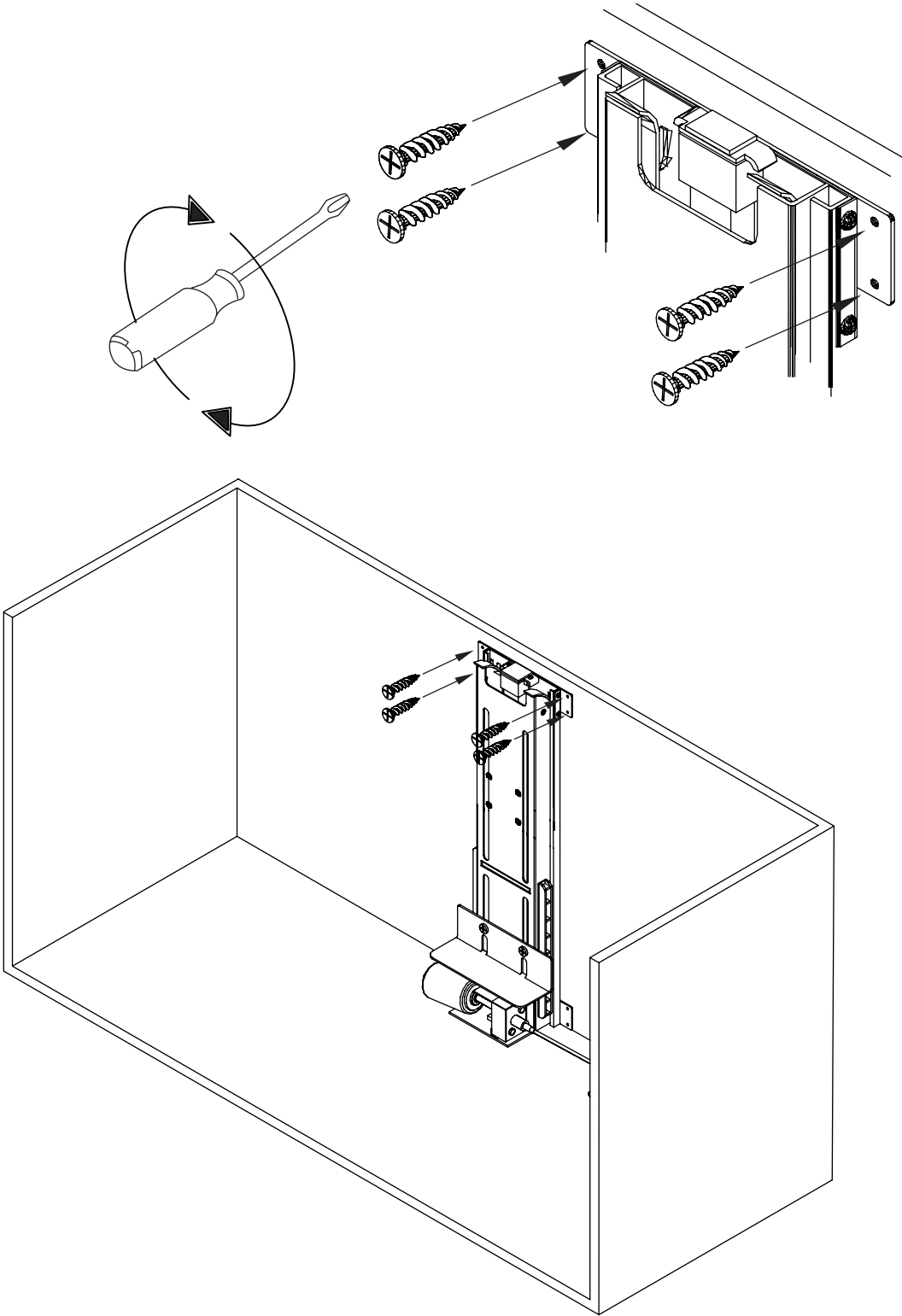
- 2) Install the lower lift mounting bracket using 4 of the 12 wood screws supplied.



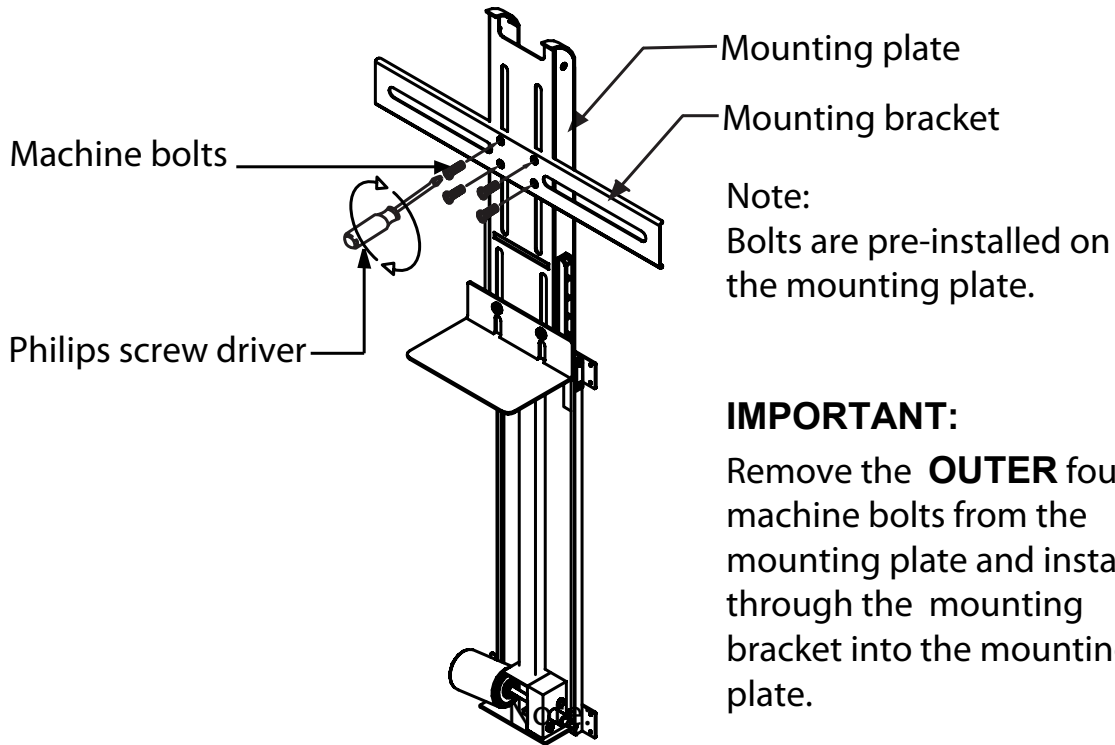
- 3) Slide the lift down over the lower lift bracket and click it into place.



- 4) Push the lift against the wall and make sure it is 100% straight. Once the lift is straight, use 4 of the 12 supplied screw to fasten it in place.



- 5) Install TV mounting bracket onto the lift using the 4 supplied machine bolts and a philips head screw driver. You must raise the lift to accomplish this step.



- 6) Using 4 of the 12 supplied wood screws, Mount the manual control box on on the right hand side of the cabinet so that it is NOT in the path of moving parts.

