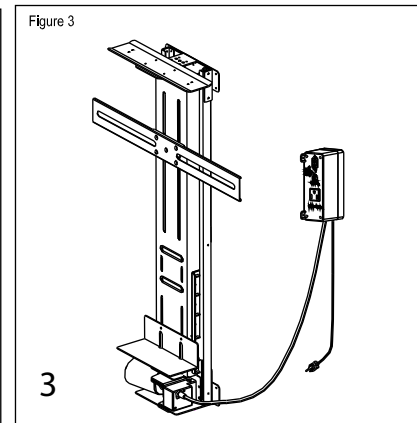
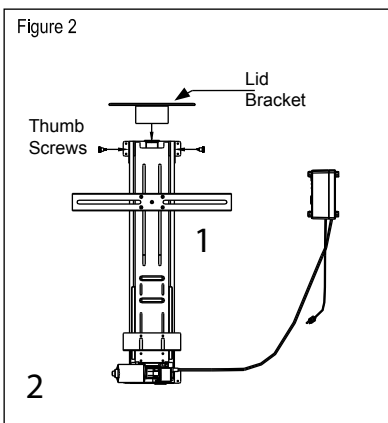
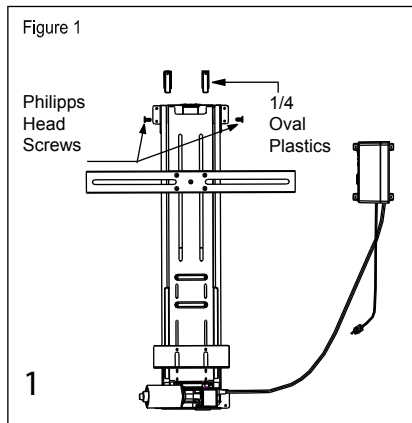
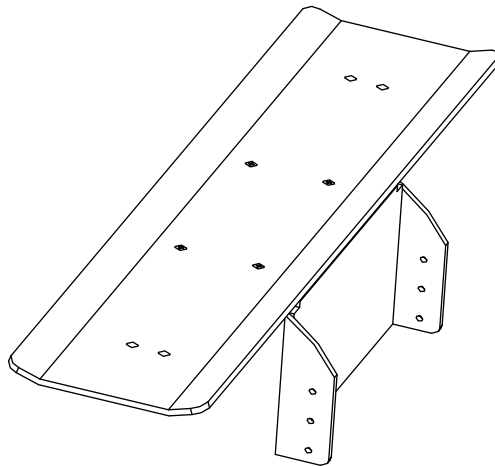


Installing the Fixed Lid Bracket

! WARNING

You must design out all inch points when installing this machine. Keep hands clear during operation. We recommend not fastening your top board to the machine. We recommend Velcro for safety allowing the lid to peel away.



1. Loosen the two Philips head screws (Fig. 1) and remove both 1/4 oval plastic pieces.
2. Insert the fixed lid bracket and fasten using both supplied thumb screws (Fig. 2).
3. The completed unit should look like (Fig. 3).

www.TVLiftCabinet.com

Factory Direct TV Cabinets - Since 1970

2295 NW Corporate Blvd - Suite 221, Boca Raton, FL 33431

Customer Service: 561-417-0999