

TV Lift Cabinet

Installing the Swivel Lift in your Furniture

Thank you for choosing TVLiftCabinet.com. This lift is designed to support TV's with a maximum weight of 120 lbs.

MISSING PARTS or HAVE QUESTIONS?

CALL 561-417-0999

DANGER

Design consideration: Ensure that your cabinet is the designed in a way completely eliminates any possible pinch points. Pinch points can cause severe injuries.

WARNING

Electrical hazard: Always unplug the machine before performing any service or maintenance.

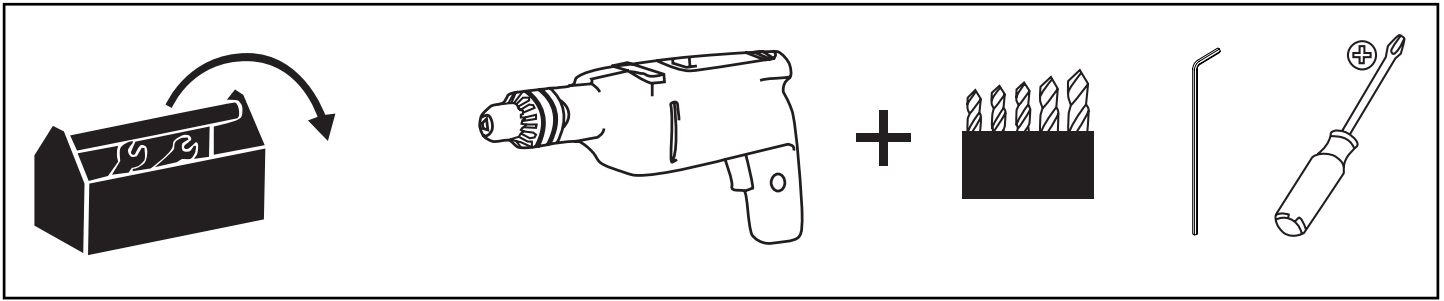
WARNING

This product contains small items that could be a choking hazard if swallowed. Keep these items away from young children!

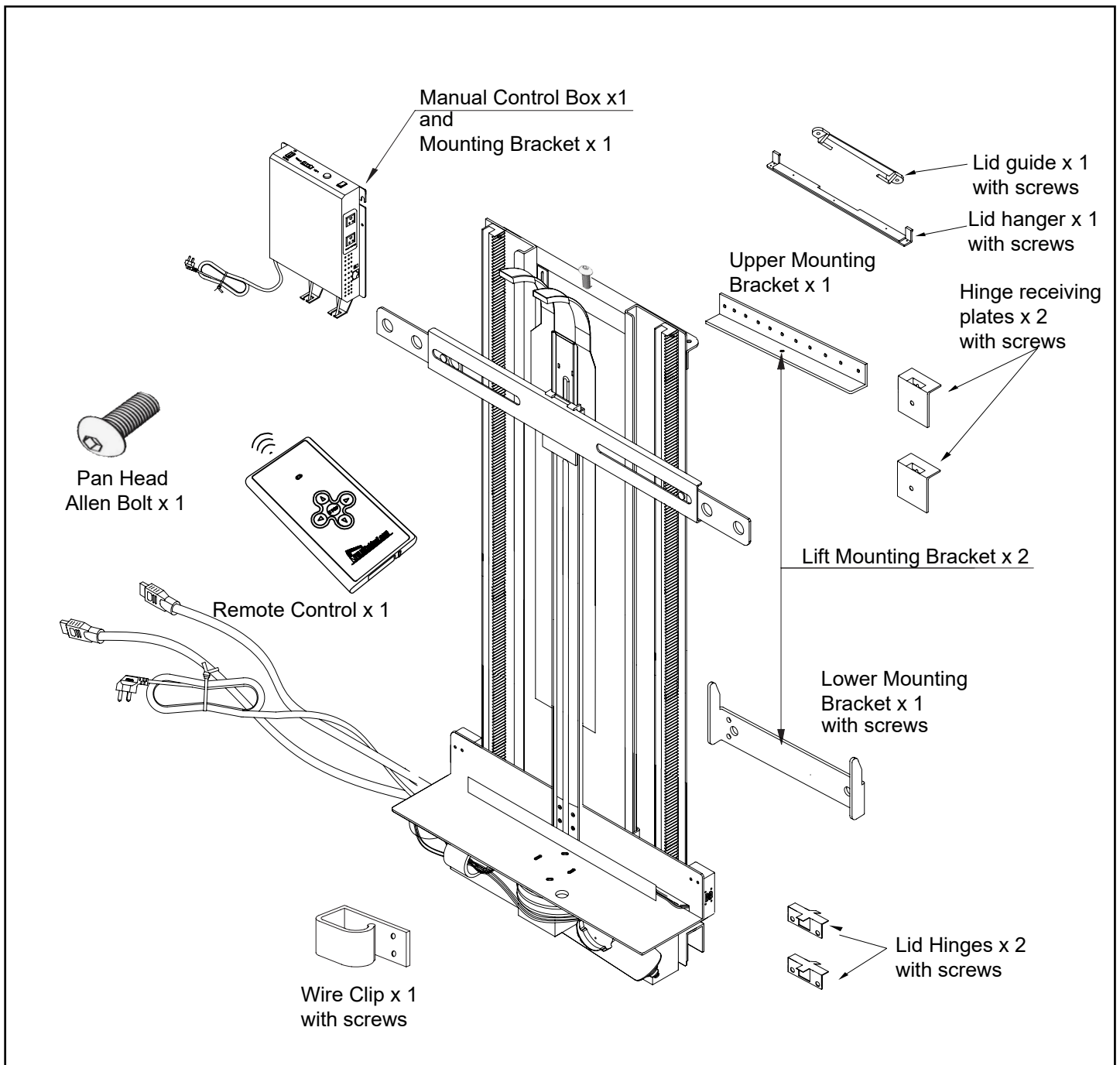
CAUTION

Do not use this product for any purpose not explicitly specified by TVLiftCabinet. Improper assembly may cause property damage or personal injury. If you do not understand with these directions, or have doubts about the safety of the assembly, contact Customer Service or call a qualified contractor. TVLiftCabinet is not responsible for damage or injury caused by incorrect assembly or use.

TOOLS REQUIRED FOR INSTALLATION



PARTS



Installation Instructions

- 1) Install the manual control box hanging bracket. 2" down from the edge of the back wall and 2" from the cabinets left side.

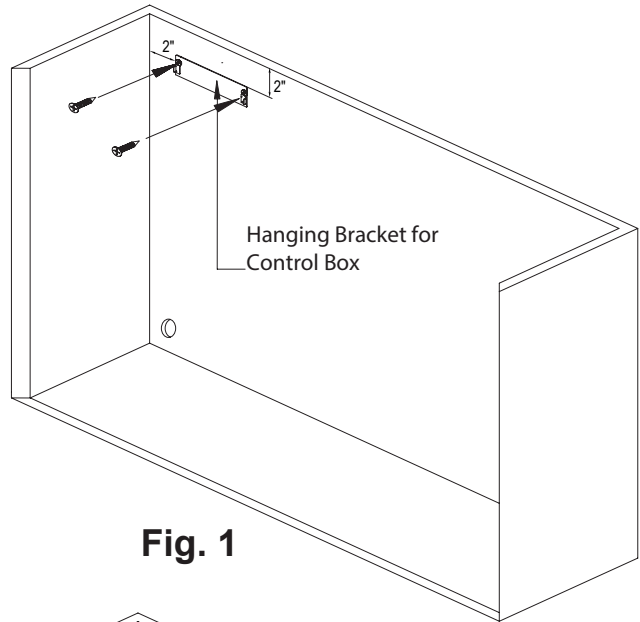


Fig. 1

- 2) Install the lift hanging brackets. (The interior height of your cabinet should be 1/2" taller than the machine height.)

The upper bracket should be mounted 1/2" below the fixed top and the bottom bracket touching the floor, leaving a 1/2" gap above the top bracket.

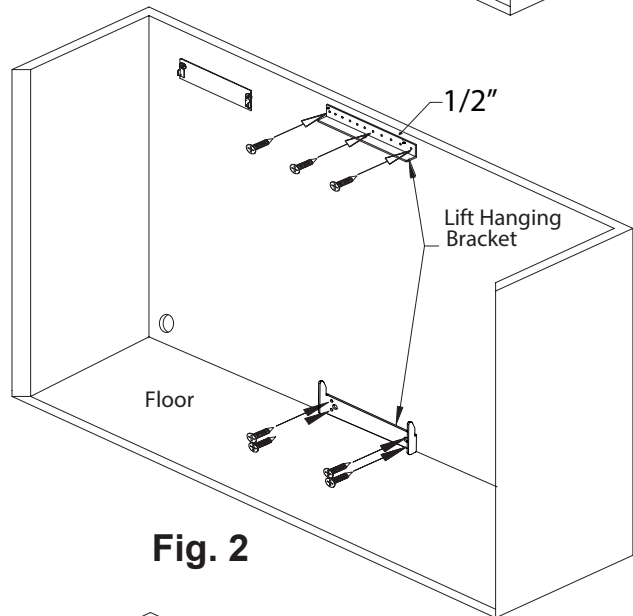


Fig. 2

- 3) Install the wire management clip.

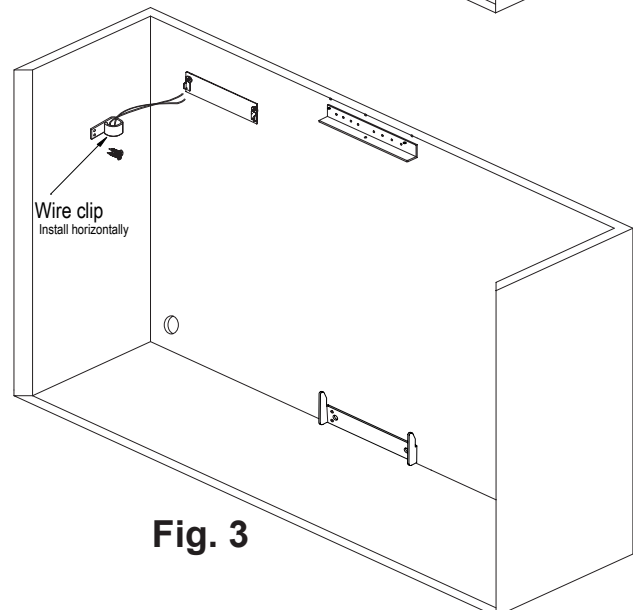


Fig. 3



CAUTION

This clip must be located where wires cannot come in contact with the lift or become taught.

- 4) Hang the manual control box on the hanging bracket.

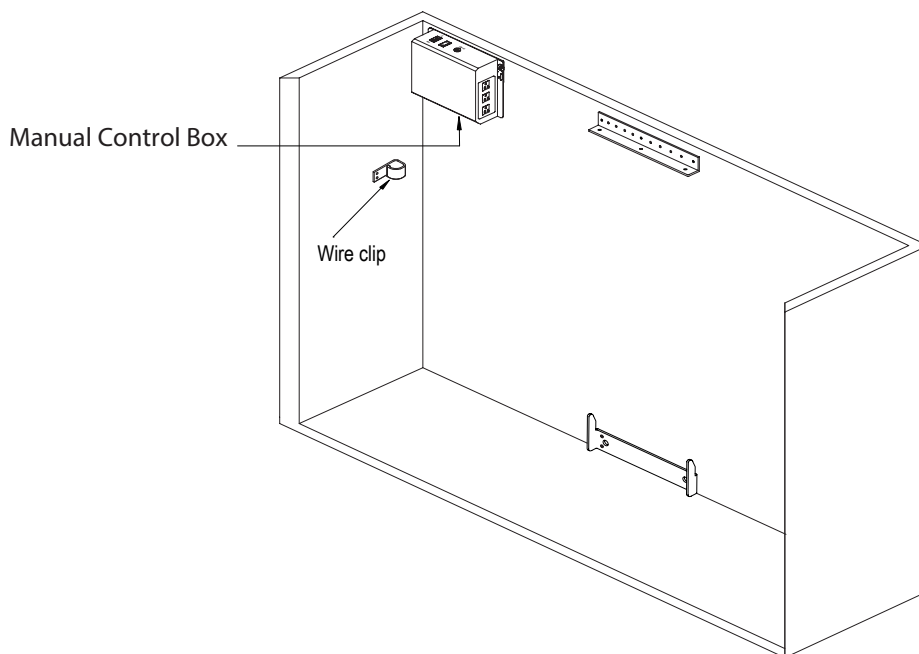


Fig.4

- 5) Hang the lift by inserting the bottom of the lift onto the lower hanging brackets metal pegs. Then insert the small allen head bolt into the top of the lift (do not fully tighten) & into the top hanging bracket. This steps secures the lift to its brackets.

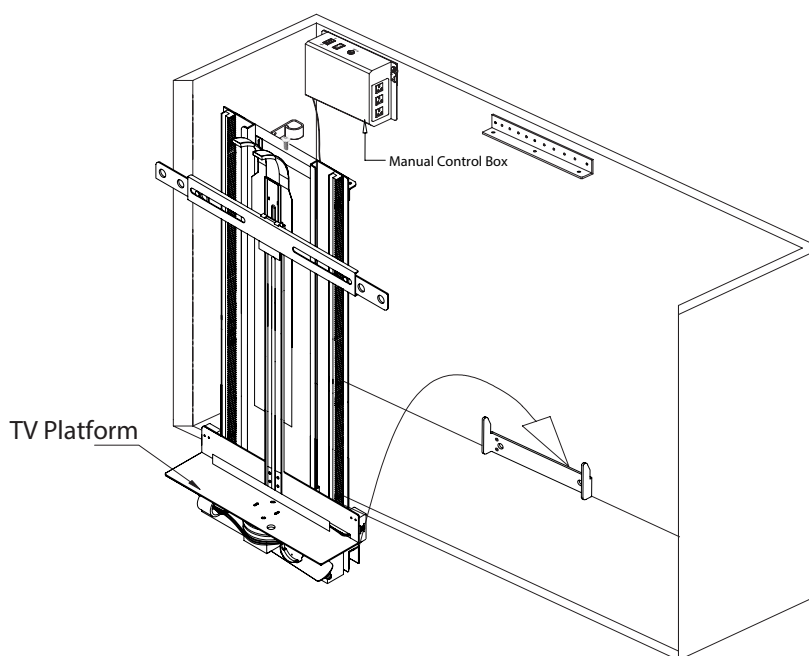
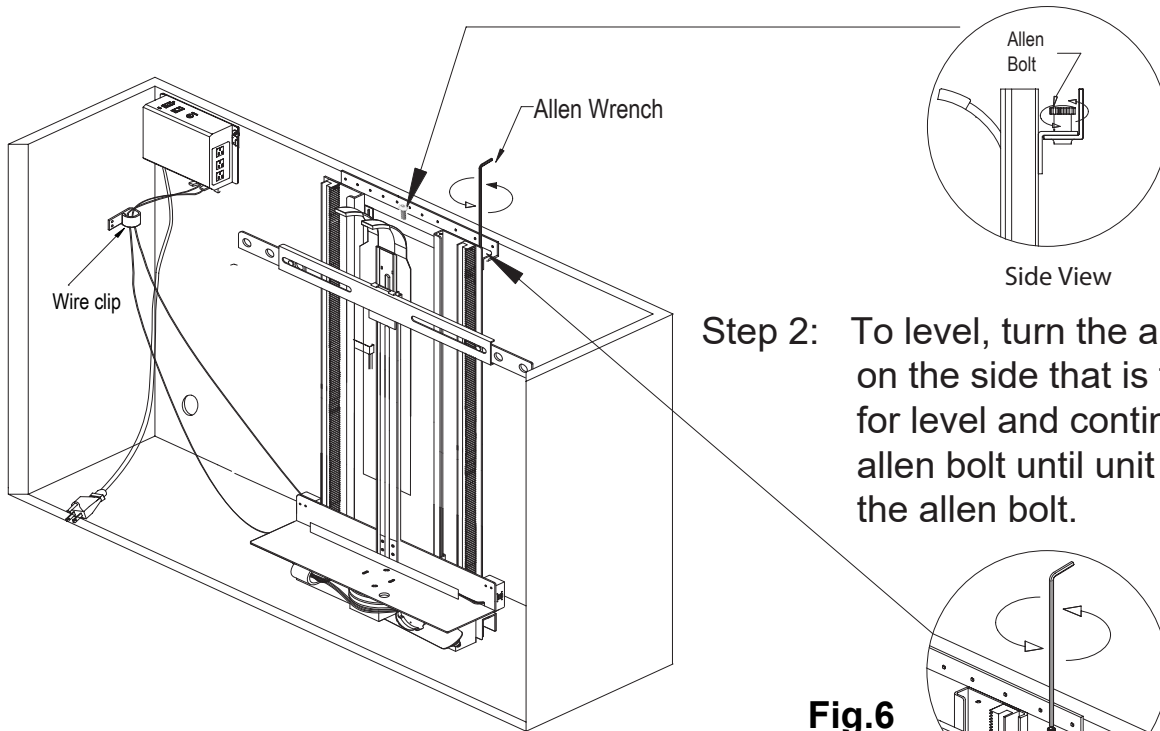


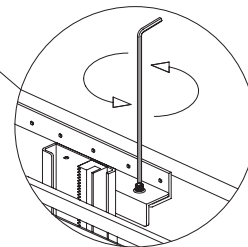
Fig.5

6) To level the lift, you must make fine tune adjustments to level it.

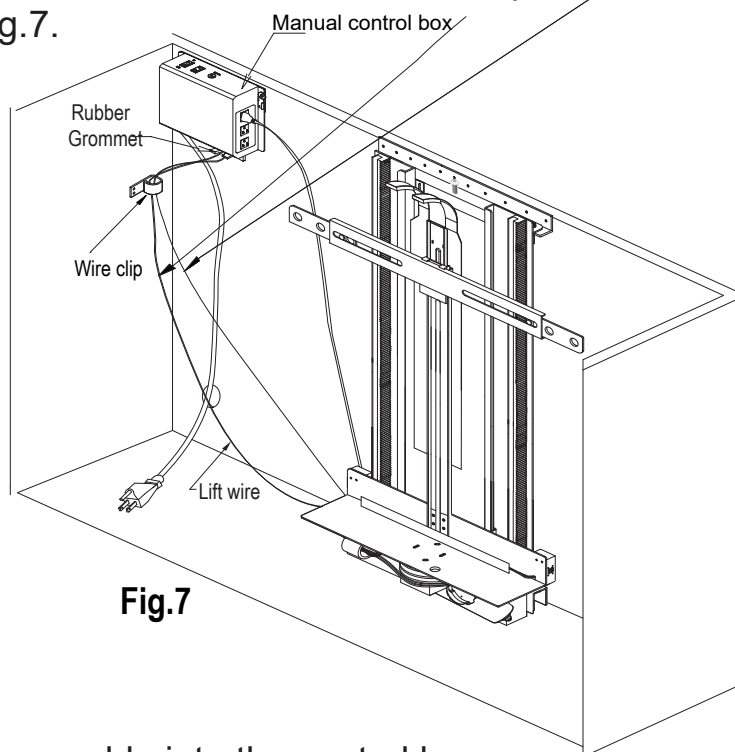
Step 1: Slightly loosen the top center allen bolt (do not remove).



Step 2: To level, turn the allen bolt clockwise on the side that is too low. Check for level and continue turning the allen bolt until unit is level. Retighten the allen bolt.



7) Plug the lift wires marked A & B into manual control box and clip rubber A/B wires grommets into the plastic retaining clips. Run the wires connecting the lift to the manual control box. You must clip these wires into the wire clip as shown in Fig.7.

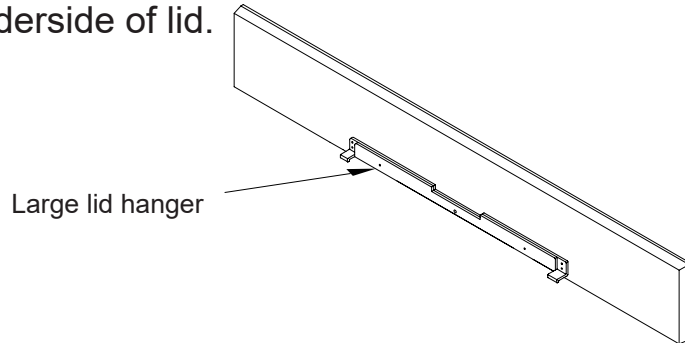


8) Plug the lift power cable into the control box.

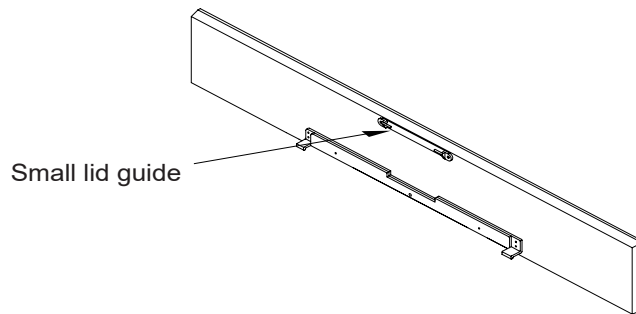
9) Attaching lid hardware.

(NOTE: The lid must be 8" in height for it to hinge properly. The lid length should be 2" wider than your TV.)

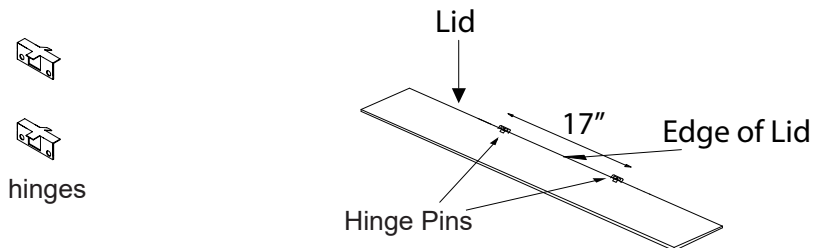
Step 1: Surface mount the large lid hanger on center bottom edge of the underside of lid.



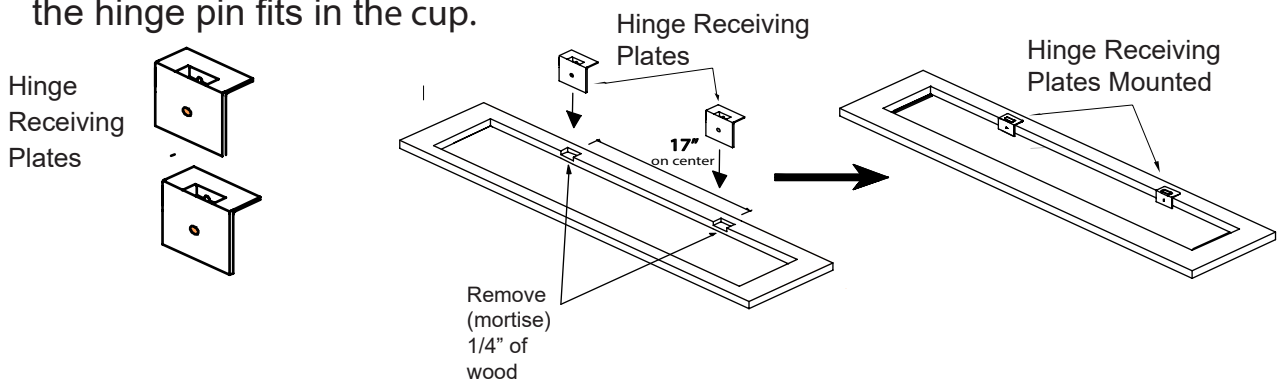
Step 2: Surface mount the small lid guide 1" below the top edge, on center, of the underside of lid.



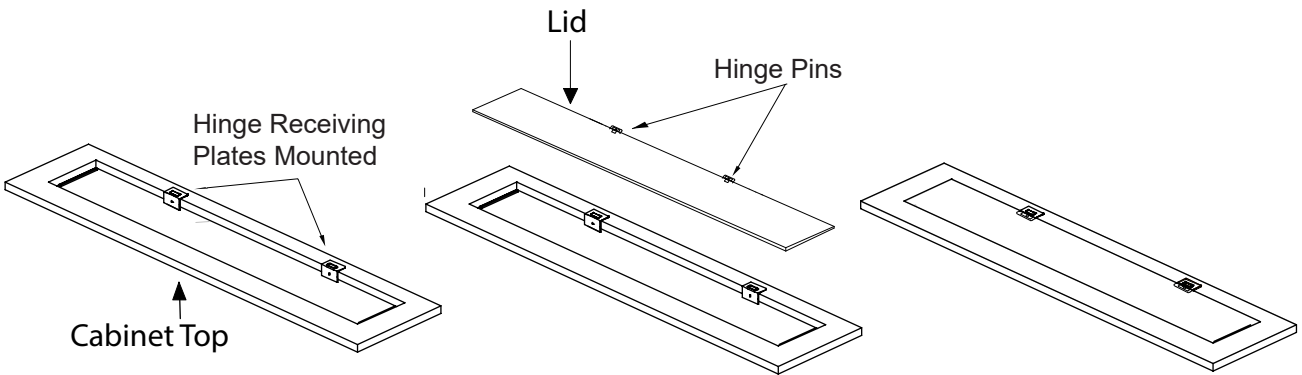
Step 3: Surface mount the pin side of the hinges 17" apart on center back edge of lid.



Step 4: Surface mount the hinge receiver plates 17" on center of back fixed portion of the lid. You will need to remove 1/4" of wood below the hinge cup so the hinge pin fits in the cup.



Step 5: Placed the lid onto the fixed cabinet top by inserting the hinge pin



Step 6: Test the lift by pressing and releasing the UP button on the remote control. Carefully monitor the top so it does not fall off.

*** DO NOT PUSH AND HOLD THE REMOTE CONTROL BUTTONS**

*** PUSH AND RELEASE.**

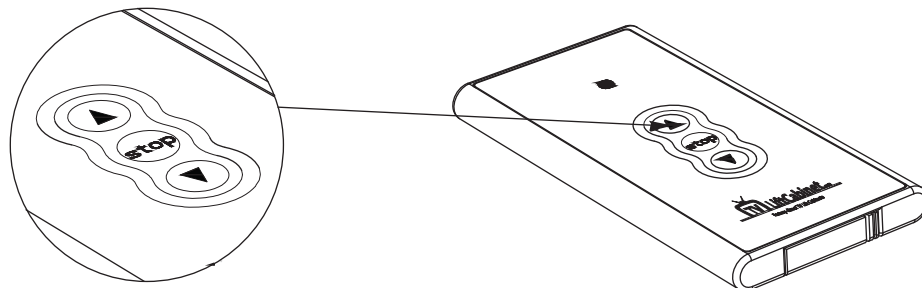


Fig. 4