

TV Lift Cabinet

Installing your TV on the Lift

Thank you for choosing TVLiftCabinet.com. This lift is designed to support TV's with a maximum weight of 120 lbs.

MISSING PARTS or HAVE QUESTIONS?

CALL 561-417-0999

DO NOT RETURN TO STORE.

Our customer service will address any missing parts, damage, and questions so you do not have to return your TV lift.

 WARNING

Pinch Point: Keep hands clear during operation. Never allow children to operate the lift.

 WARNING

This product contains small items that could be a choking hazard if swallowed. Keep these items away from young children!

 CAUTION

Do not use this product for any purpose not explicitly specified by TVLiftCabinet. Improper assembly may cause property damage or personal injury. If you do not understand with these directions, or have doubts about the safety of the assembly, contact Customer Service or call a qualified contractor. TVLiftCabinet is not responsible for damage or injury caused by incorrect assembly or use.

www.TVLiftCabinet.com

Factory Direct TV Cabinets - Since 1970

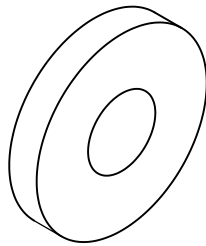
Customer Service: 561-417-0999

Supplied Parts and Hardware

Before starting assembly, verify all parts are included and undamaged. If any parts are missing and damaged, do not return the item to the retailer; contact Customer Service. Never use damaged parts.

TV Mounting Hardware located on the TV Mounting Bracket Contains:

- 2 pcs. Large Plastic Washer
- 2 pcs. Smaller Metal Washer
- 2 pcs. M8X25
- 2 pcs. M6X30
- 2 pcs. M5X30
- 2 pcs. M4X30



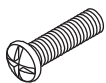
2x



2x

(large plastic washer)

(smaller metal washer)



2x

(M8X25)



2x

(M6X30)



2x

(M5X30)

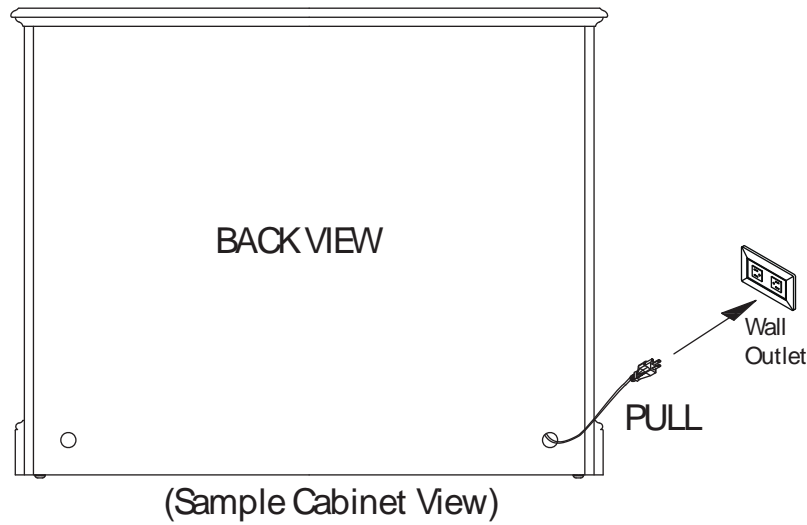


2x

(M4X30)

1: Plug the Lift into Your Wall Outlet

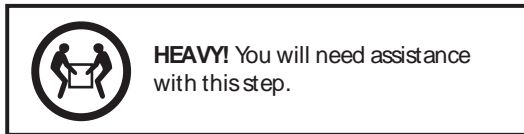
- A) Pull the power cord out of one of the two holes in the back or bottom of the cabinet. Choose the exit hole that will be nearest your wall outlet.



(Sample Cabinet View)

Fig. 1

B)



Using two people, slide the cabinet into place.

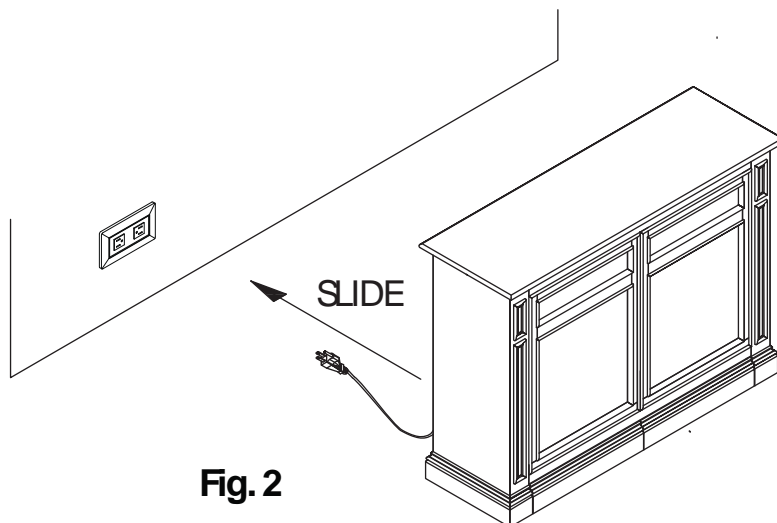
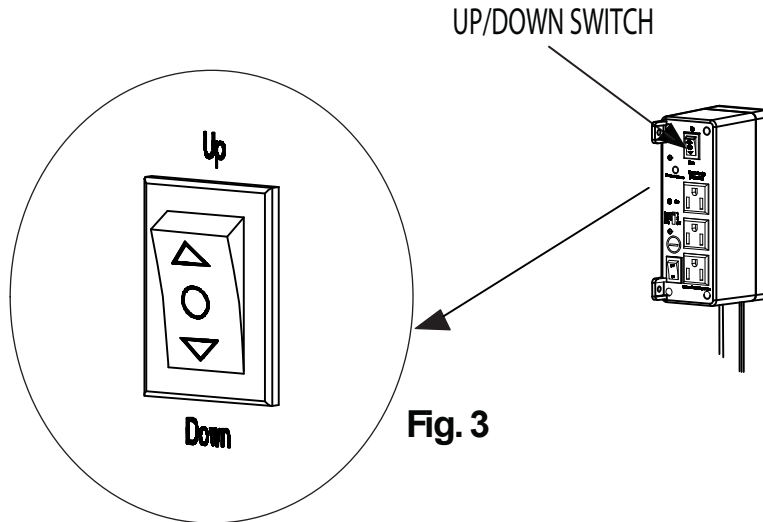


Fig. 2

2: Raise the Lift

- A) Raise the lift by pressing and holding UP switch.



-OR-

Using the remote, press and release the UP button on the remote control unit.

*** DO NOT PUSH AND HOLD THE REMOTE CONTROL BUTTONS**

*** PUSH AND RELEASE.**

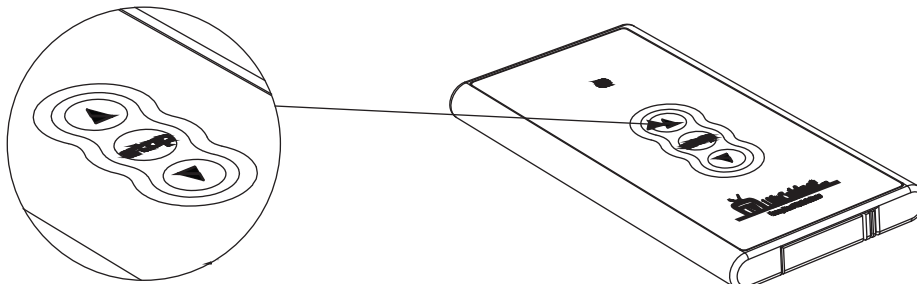


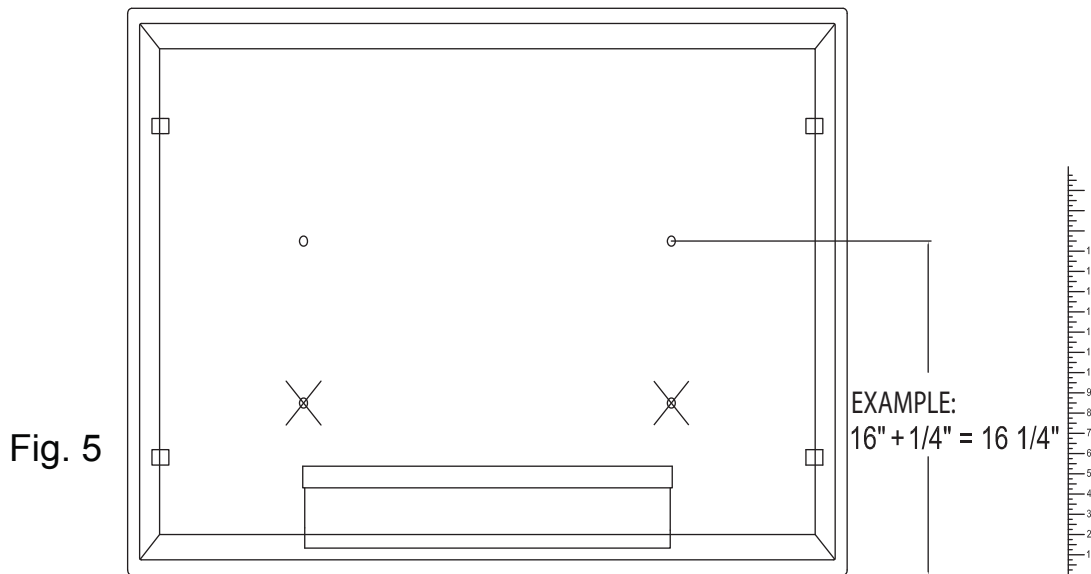
Fig. 4

(See page 8 if remote does not work.)

3: Mounting Your TV

- A) Remove the stand from your TV.
- B) Measure the distance from the bottom of your TV to the middle of the threaded insert on the back of your TV.

NOTE: Use the top threaded holes and not the bottom holes.



- C) Adjust the mounting bracket to the measurement calculated in "B" by simply pulling or pushing the horizontal pressure mounted bracket into place.

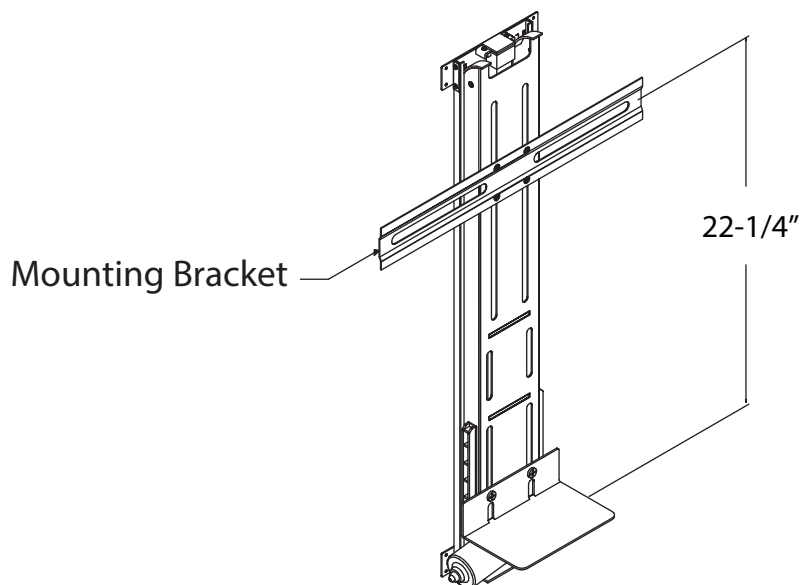



Fig. 6

D)

 **HEAVY!** You will need assistance with this step.

Using two people, place the TV on the padded lift platform and attach to the mounting bracket using the supplied polymer shoulder washers, polymer caps, and bolts as shown in Fig. 7.

 **WARNING**
You should not feel resistance when threading bolts into the back of the televisions. If you feel resistance, stop immediately and call Customer Service : 561-417-0999

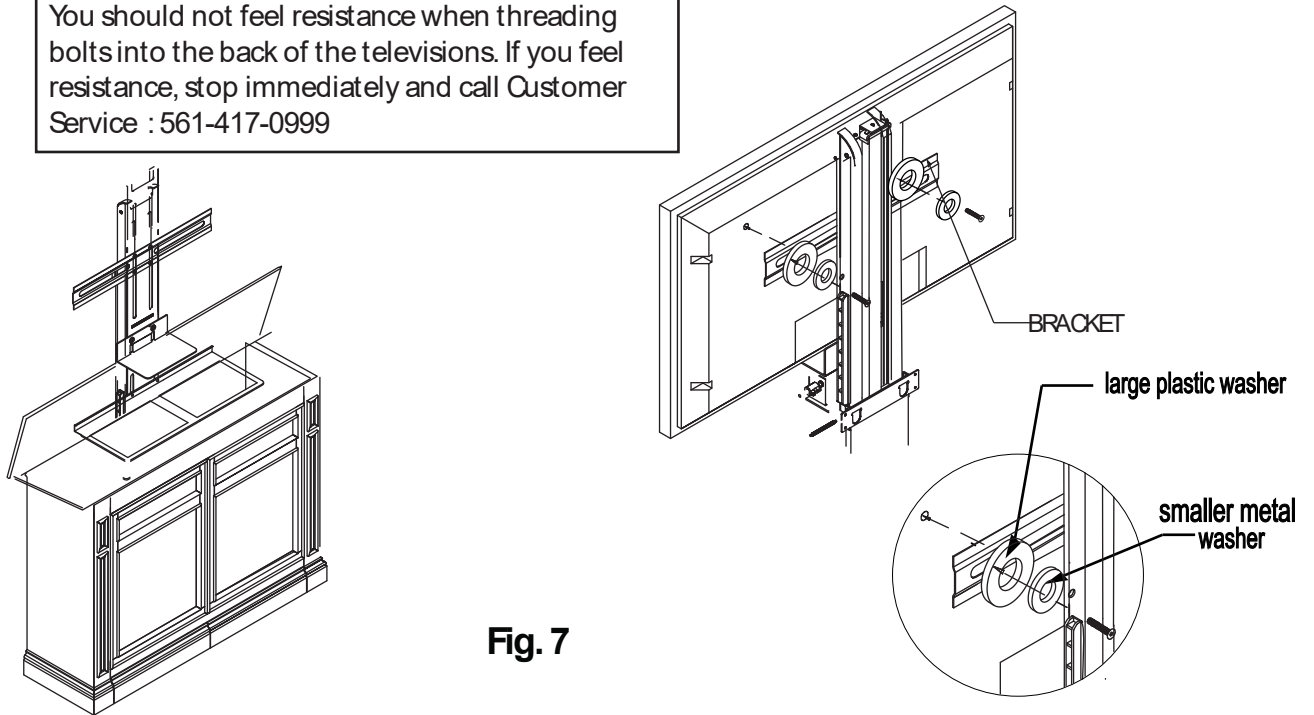


Fig. 7

Note: If you would like your TV to raise the greatest distance above the cabinet, or if you do not want the machine to show above the TV, you will need to raise the platform. Simply loosen the 2 Phillips bolts, raise the platform so the distance from the platform to the (do not remove them) top of the machine is equal to your TV height + 1/4".

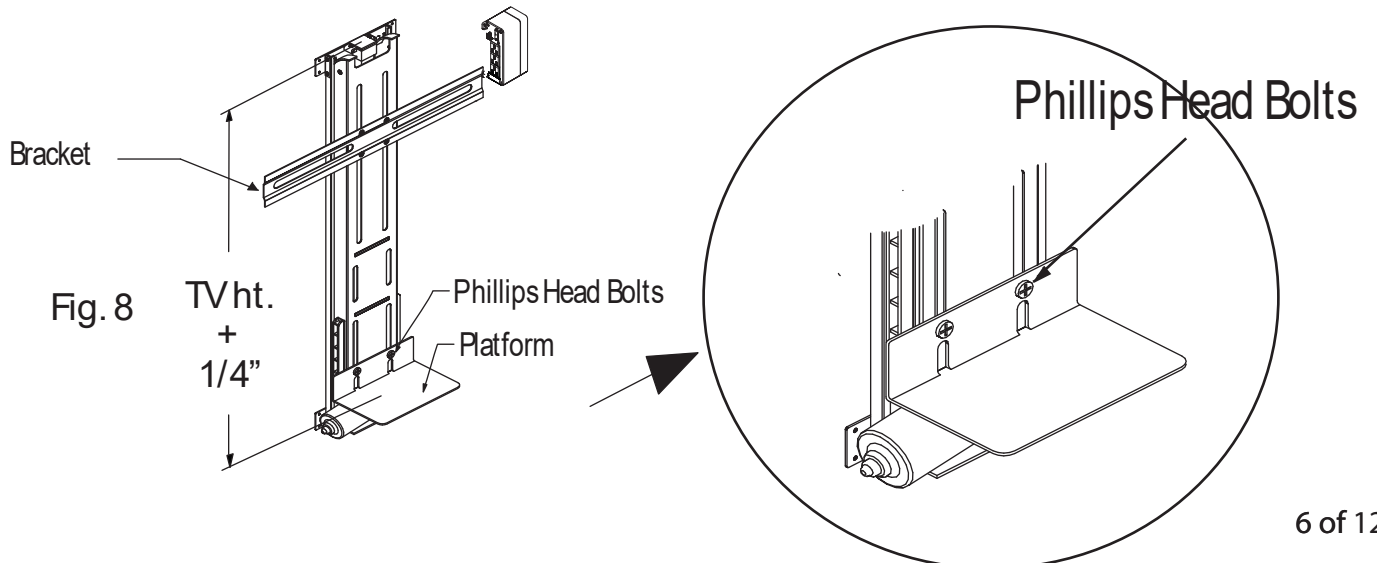
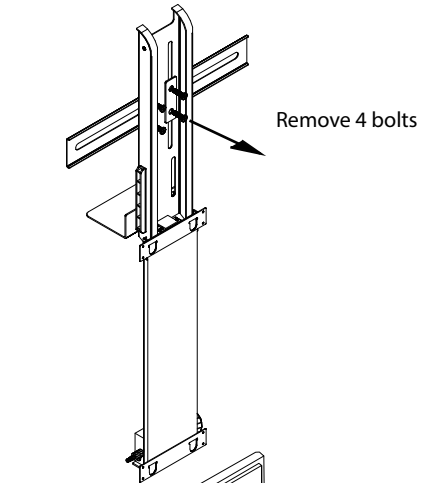


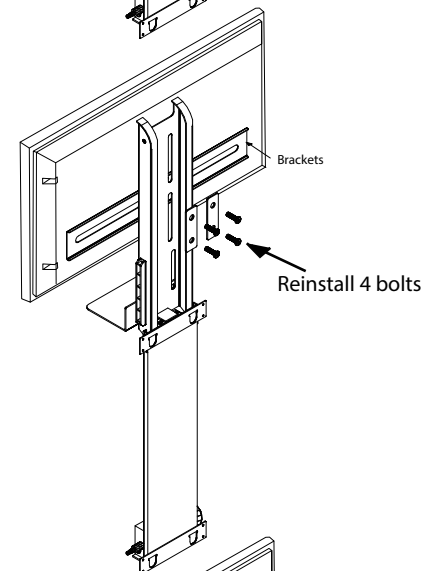
Fig. 8

- E) If your TV mounting holes are lower than the horizontal mounting brackets maximum travel, you will need to move the horizontal mounting bracket to the next set of slots.

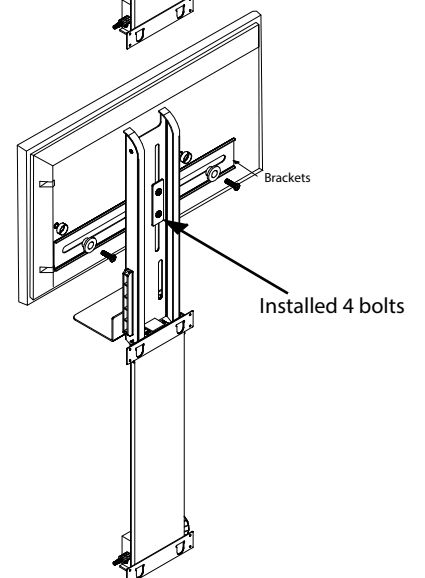
Step 1: Remove the four bolts.



Step 2: Reinstall the bracket sliders into the slots that match your TV holes. Tighten bolts, but do not overtighten the bolts.



Step 3: Mount your TV as per previous pages.



- F) Plug the TV into the outlet labeled "current sensing" located on the manual control box. This allows most TV's to automatically lower when the TV powers off, and raise when the TV turns on. (for cabinets with IRkits only). If you prefer the lift to not to go up/down when the TV is turned on/off move the delay switch to "off".

Note:

If this feauture causes your lift to move up/down unnecessarily.

See page 12

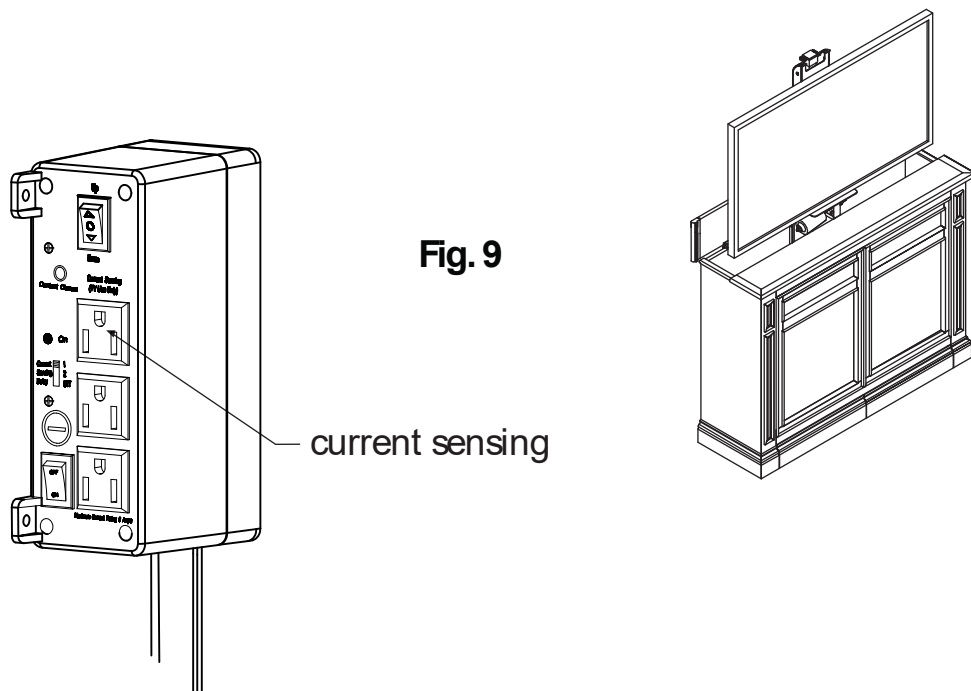


Fig. 9

current sensing

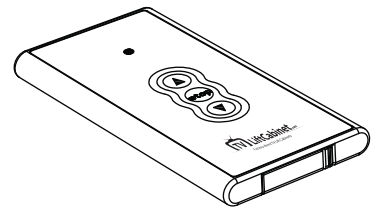
CAUTION

Watch carefully to see that all wires and cords are not rubbing on the lift and or cabinet and that they are not being pulled. Use wire management clips as needed to keep wires from being tangled or entrapped.

4: Syncing Your Remote Control If It Is Not Working

If the manual up/down switches are operating your lift but the remote control is not, your remote has likely lost its connection to the lift. This can be corrected by syncing your remote with the lift as follow:

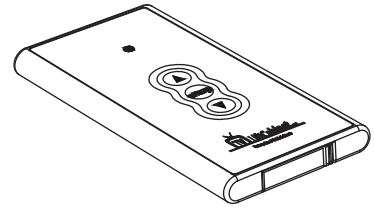
1. Drive the lift into the down position.
2. Turn the lift off.
3. Leave the lift off for 60-90 seconds minimum.
4. After 60-90 seconds has expired, press and hold the up button on the remote control.
The red light on the remote should stay on.
5. While keeping the remote up button depressed, **QUICKLY** turn the lift back on.
6. After 2-5 seconds, the lift should begin running up.
7. Release the up button as soon as the lift begins to move.



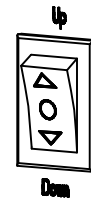
Questions? Call us at Customer Service: 561-417-0999

5: Four Methods to Control Your Lift

1) Using the included radio frequency remote control.

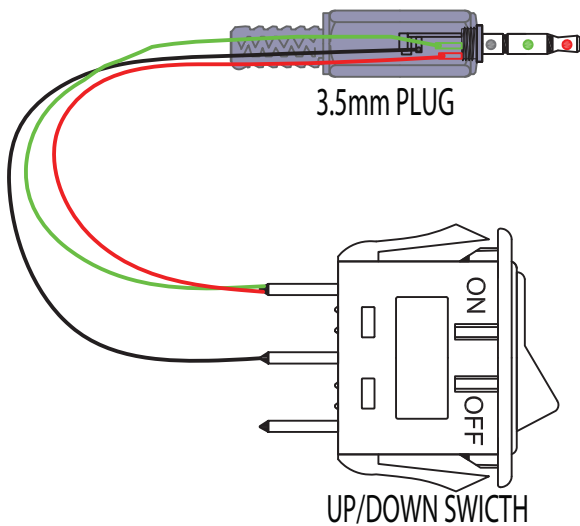


2) Using the built-in UP/DOWN switch on the control box.



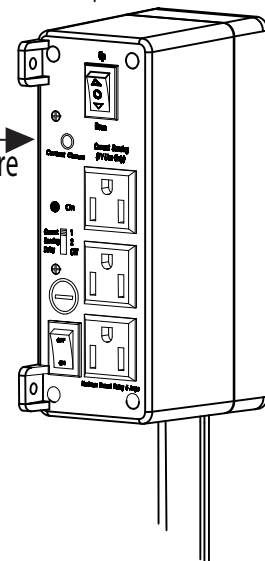
UP/DOWN SWITCH

3) Using the built-in contact closure.



Stereo Wire Diagram

Built-in contact closure



4) Downloading our Apple or Android App



6: Infrared System (IR)

(applies to certain models only)

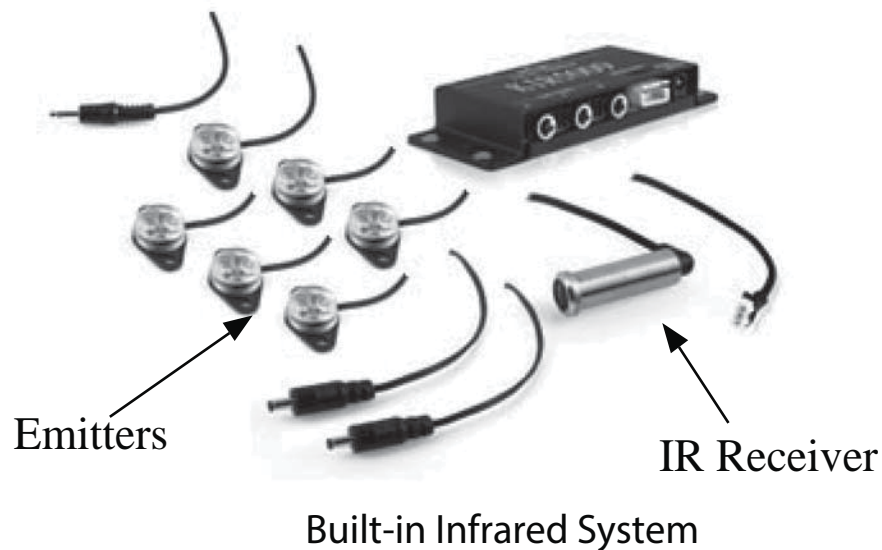
Take control of your components

Infrared components require line of sight to operate via remote control. The TV Lift Cabinet infrared products provide a window from your handheld remote to your components that are out of the line of sight enclosed in our cabinetry.

Our Plasma/LCD/LED friendly IR receivers are compact and blend into our furniture very well.

While many consider infrared products to be accessories, TVLiftCabinet has a different approach. We view all are products as integral parts of the overall system. Therefore, all TV Lift Cabinet IR products are pre-installed with simple connections, engineered to integrate with a vast number of products and designed to perform with exceptional reliability.

Simply install your components on shelves that contain an emitter (equipment must be 1" or more behind the emitter) and you will have full control of that equipment from behind closed doors.



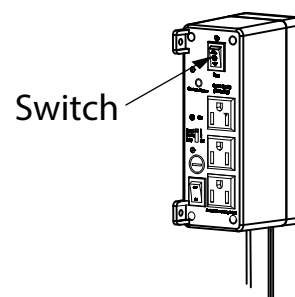
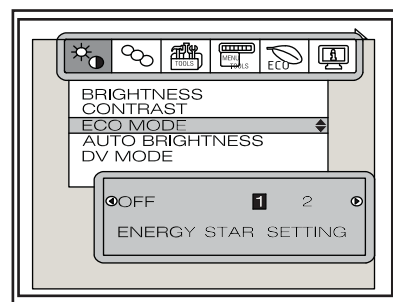
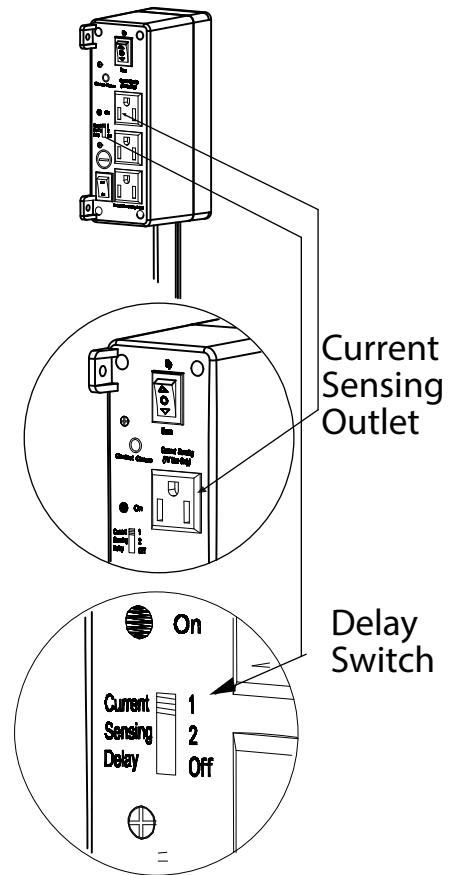
* Works with 99% of all equipment

8: Troubleshooting the Linear Actuator Current Sensing Outlet

If your TV is not currently compatible with the lift, it tends to make the lift go up/down when you do not want it to. Most televisions are programmed / set to enter a low-power mode (“energy star settings”). Sometimes it is necessary to deactivate these settings on the TV to allow it to communicate properly with the lift.

Troubleshooting Steps:

1. Make sure your TV is plugged into the current sensing outlet. If any other equipment is plugged into that outlet, it will cause unwanted lift movement. Move to step 2 if the problem persists.
2. Adjust the delay switch to position 2. If the problem persist move to step 3
3. Turn off your energy star settings. Move to step 4 if the problem persists.
4. If #2 and #3 do not work, move the switch to off to deactivate the feature. Nothing can be plugged into the current sensing outlet, if all of the steps fail.



Please call us 561-417-0999 if you require further assistance.