

TV Lift Cabinet

Installing the Smart Swivel Lift in Your Furniture

Thank you for choosing TVLiftCabinet.com. This lift is designed to support TV's with maximum weight of 120 lbs

MISSING PARTS or HAVE QUESTIONS?

CALL 561-417-0999

 **WARNING**

Design consideration: Ensure that your cabinet is the designed in a way completely eliminates any possible pinch points. Pinch points can cause severe injuries.

 **WARNING**

Electrical hazard: Always unplug the machine before performing any service or maintenance.

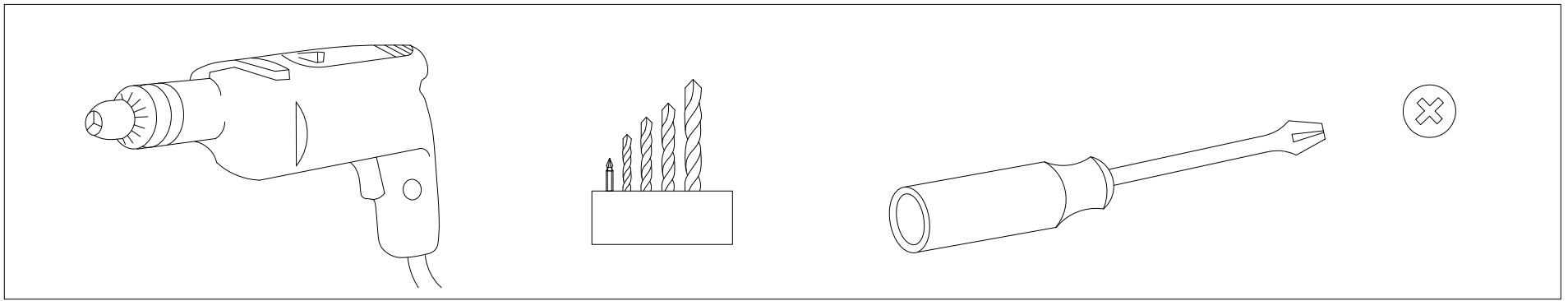
 **WARNING**

This product contains small items that could be a choking hazard if swallowed. Keep these items away from young children!

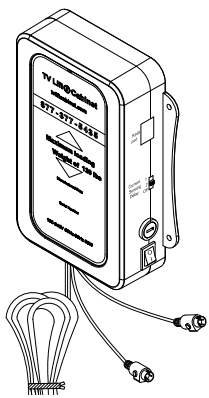
 **WARNING**

Do not use this product for any purpose not explicitly specified by TVLiftCabinet. Improper assembly may cause property damage or personal injury. If you do not understand these directions, or have doubts about the safety of the assembly, contact Customer Service or call a qualified contractor. TVLiftCabinet is not responsible for damage or injury caused by incorrect assembly or use.

TOOLS REQUIRED FOR INSTALLATION



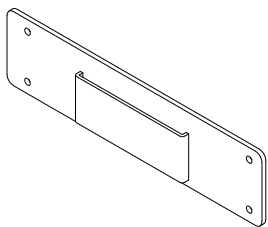
PARTS



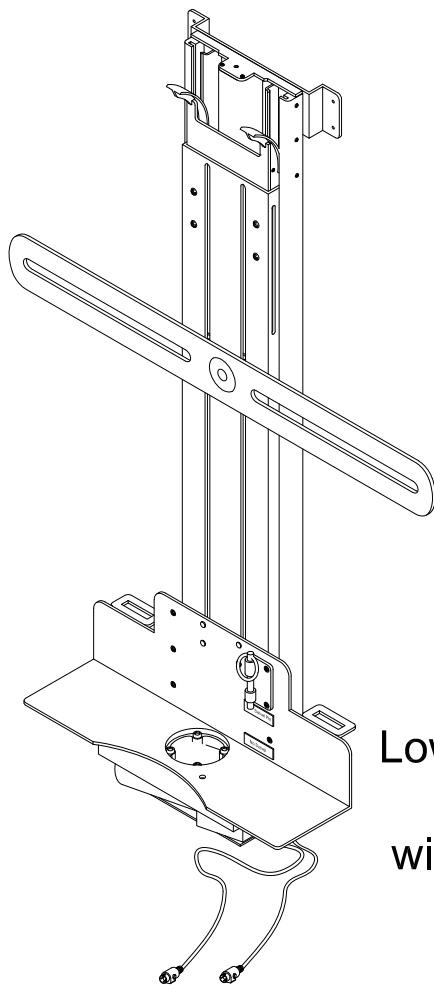
Manual Control Box x 1
with x 1, 4mm x 12mm wood screws



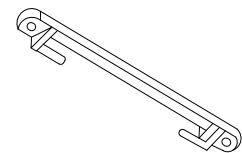
Remote Control x 1



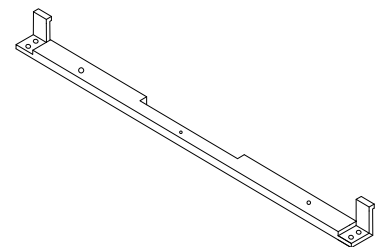
Lower Mounting Bracket x 1
with x 1, 4mm x 12mm wood screws



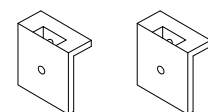
Lower control
bracket
with screws



Lid Guide x 1
with x 2, 3mm x 12mm
wood screws



Lid Hanger x 1
with x 1, 4mm x 12mm
wood screws



Hinge Receiving Plates
with x 2, 3mm x 15mm
wood screws



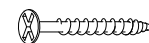
Lid Hinges x 2
with x 4, 3mm x 15mm
wood screws

12mm

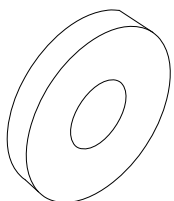


12 x Wood screws
(For Mounting the lift, Control Box and lid hanger)

15mm



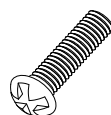
8 x Wood screws
(For Mounting the lid hinges, hinge receivers
plate and lid guide)



2 Large washers



2 Small washers



2x
M8X20



2x
M6X20



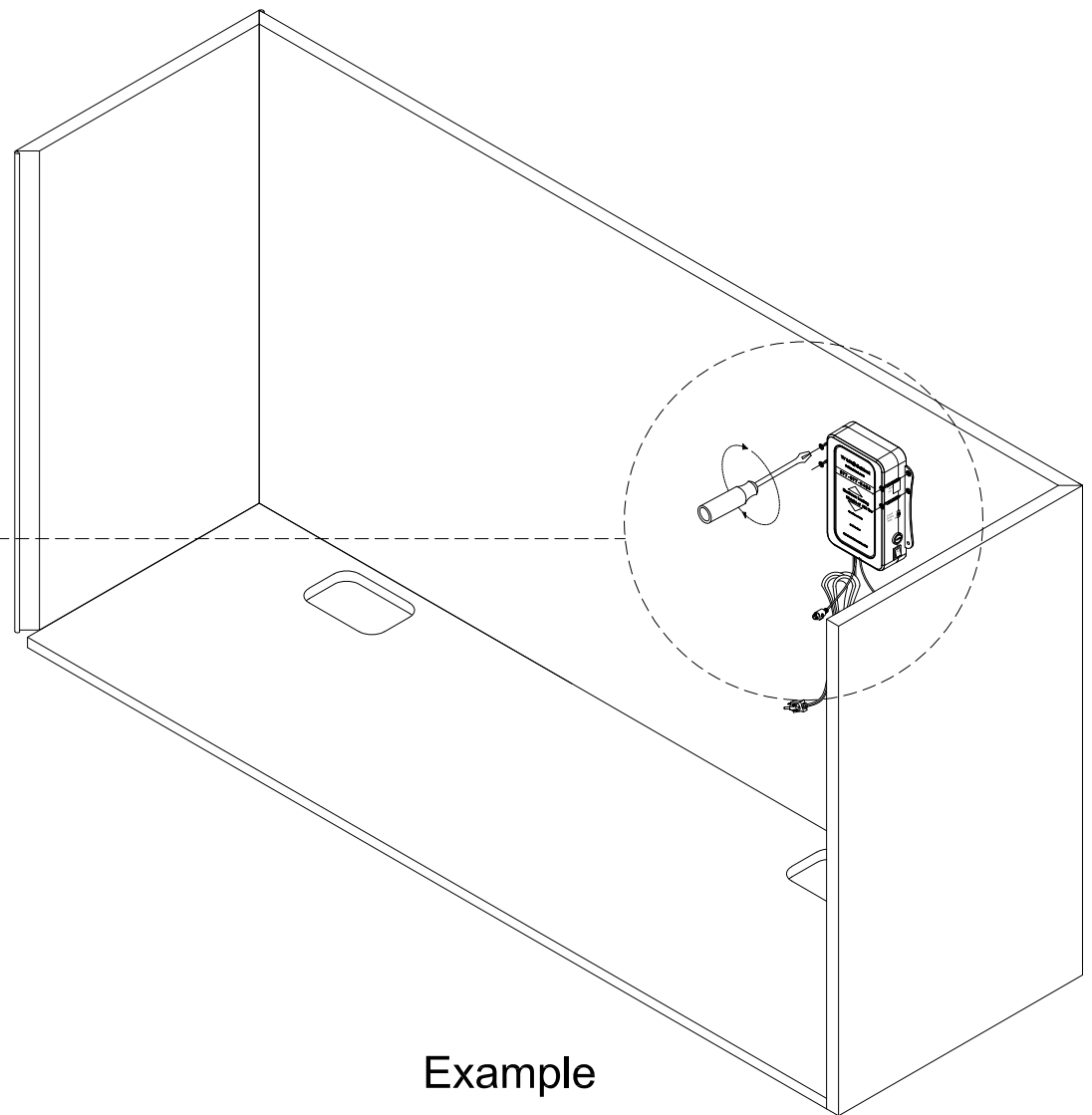
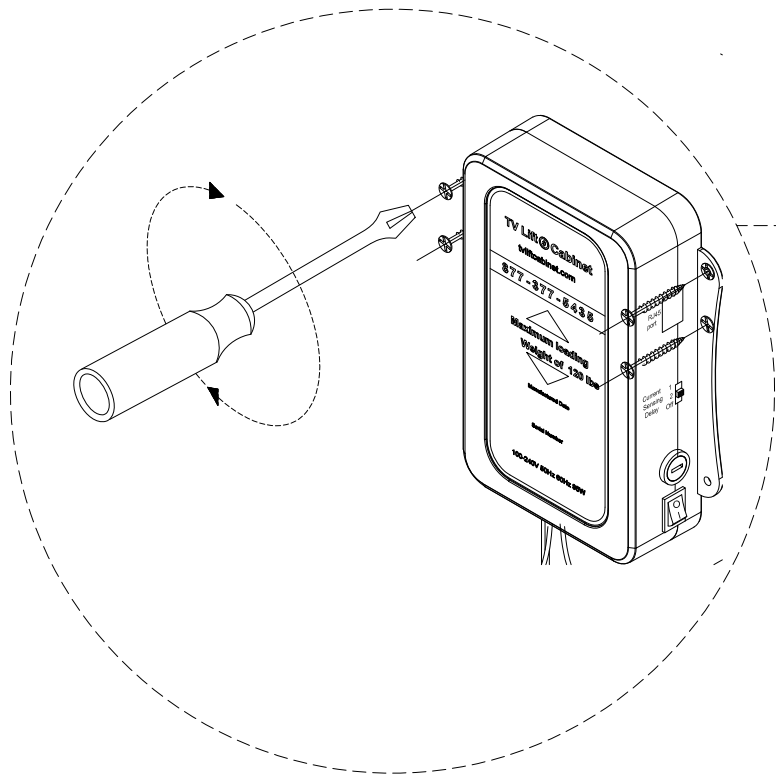
2x
M5X20



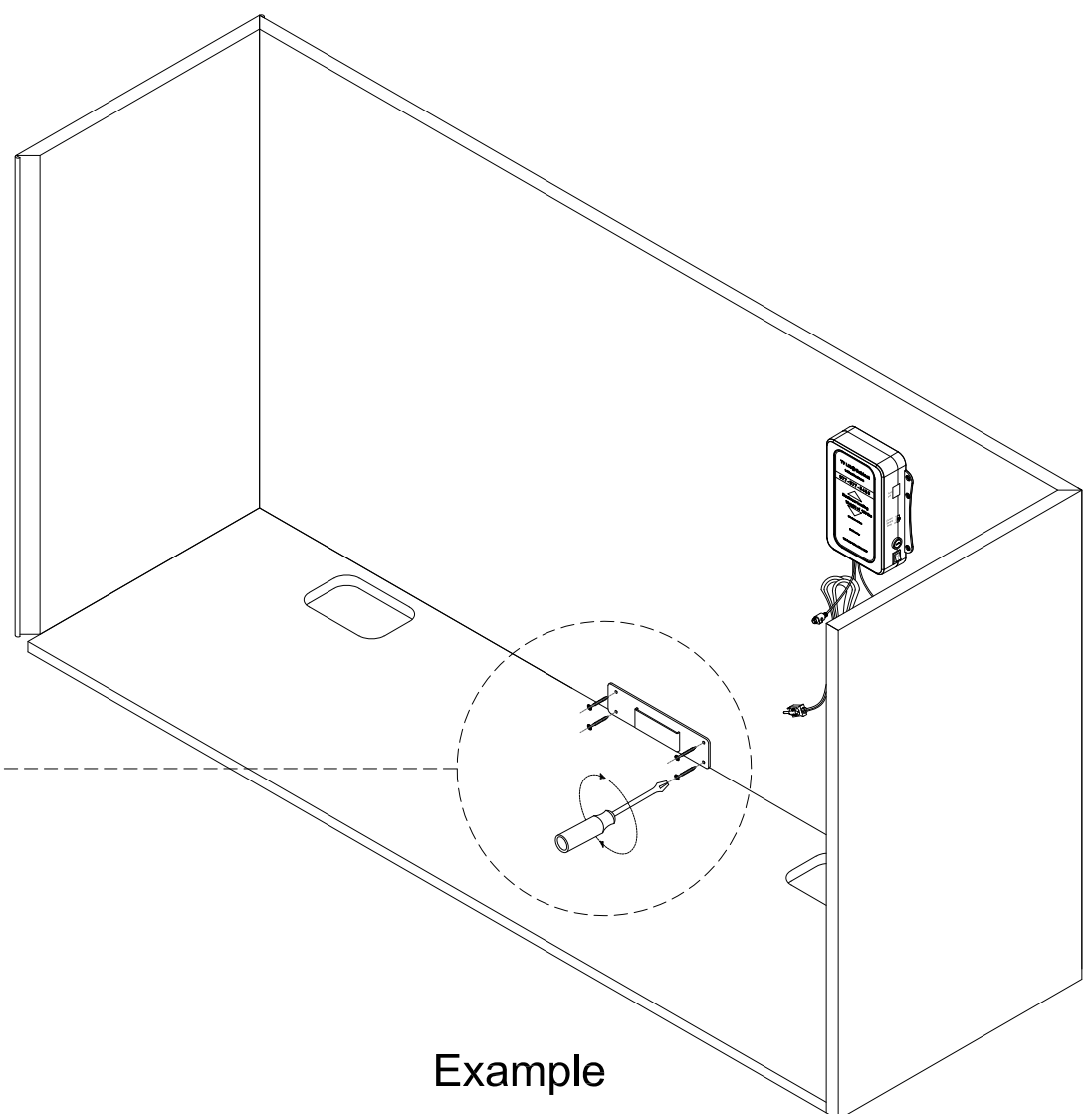
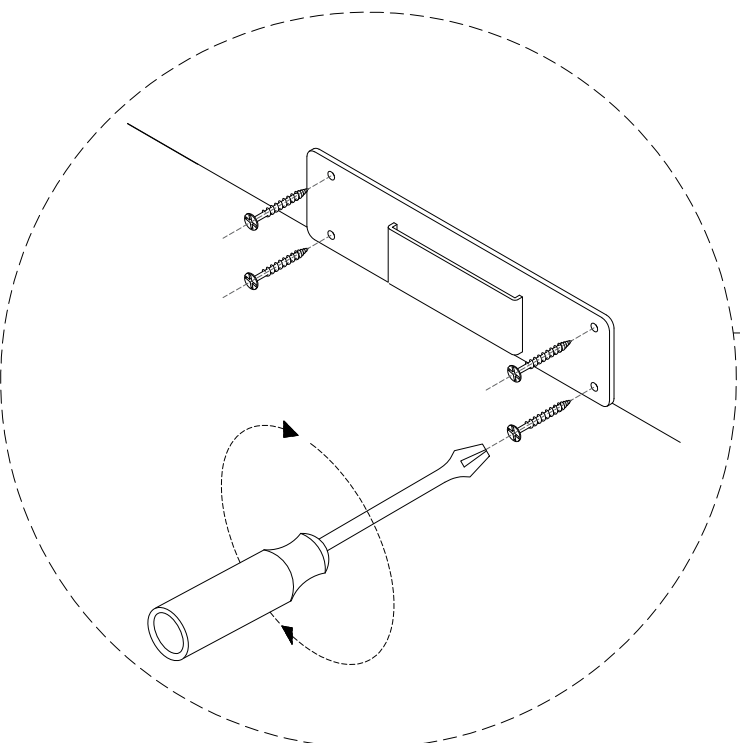
2x
M4X20

INSTALLATION INSTRUCTIONS

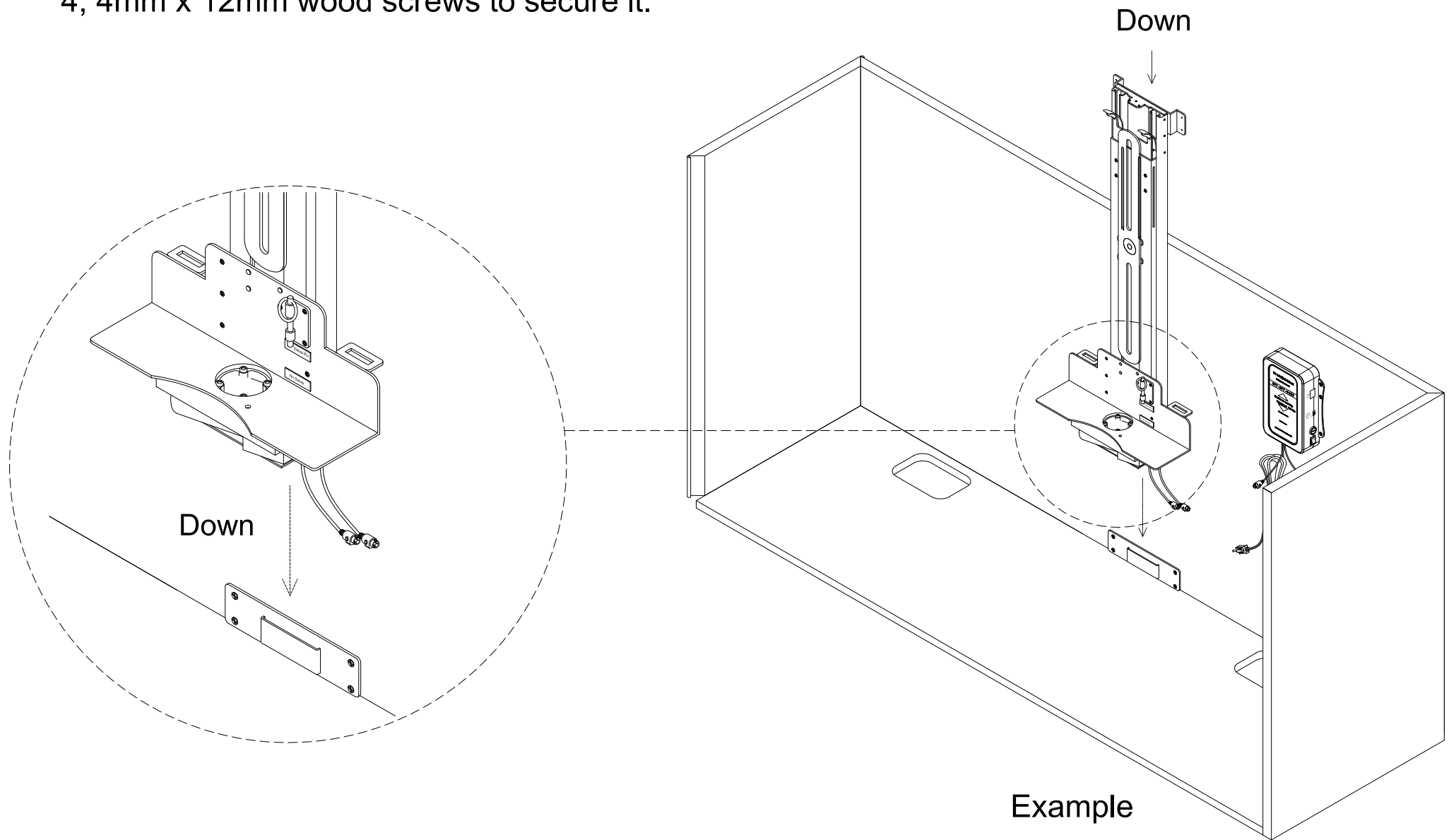
- 1) Install the manual control box in the upper right corner of your cabinet using 4 of the supplied 4mm x 12mm wood screws.



- 2) Install the lower lift mounting bracket on the center of your cabinet back panel using four of the 4mm x 12mm wood screws. (The interior height of your cabinet should 1/4" taller than the machine height.)

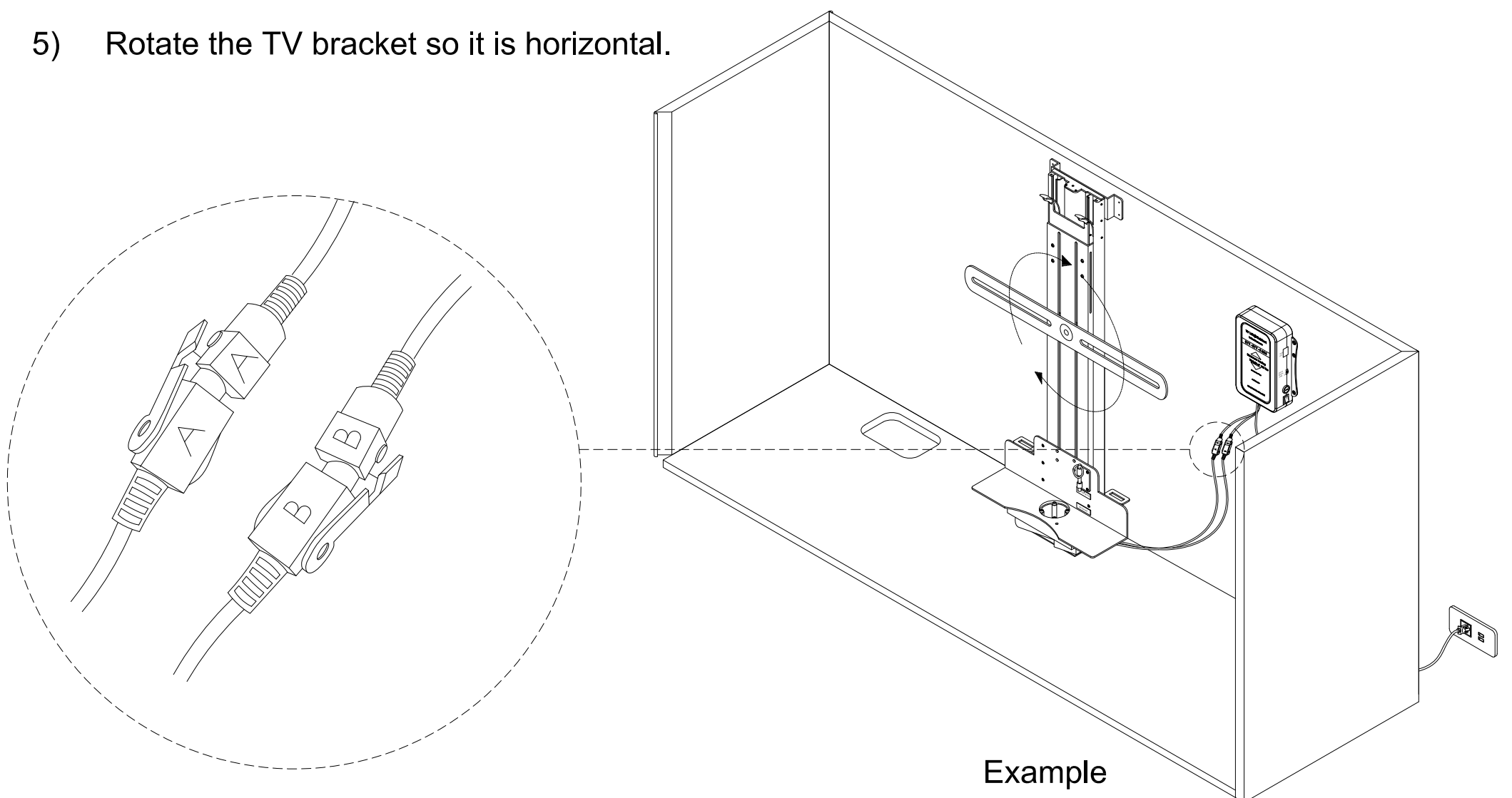


- 3) Hang the lift by inserting the bottom of the lift onto the lower mounting bracket. Then push the top of the machine against the back of your cabinet and insert 4, 4mm x 12mm wood screws to secure it.



- 4) Plug the lift wires A & B into the control box ports labeled A & B and secure with the rotating locking clips.

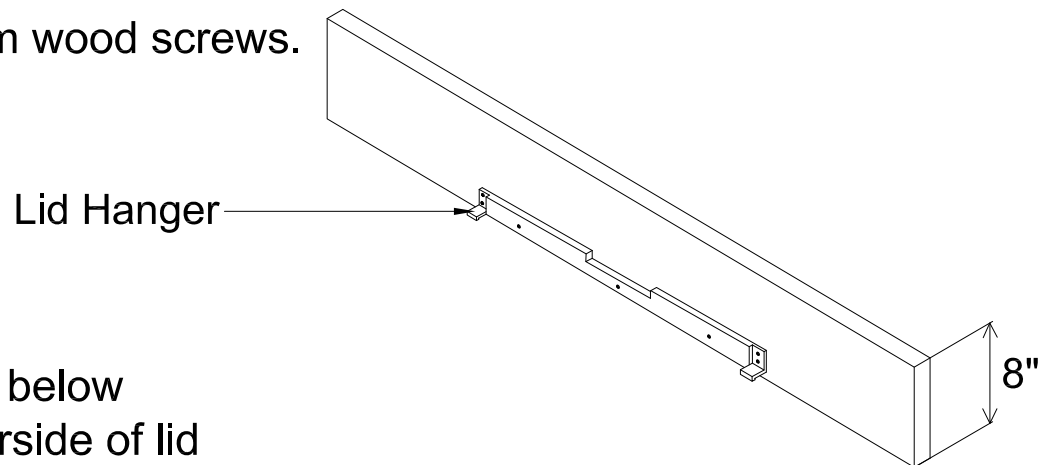
- 5) Rotate the TV bracket so it is horizontal.



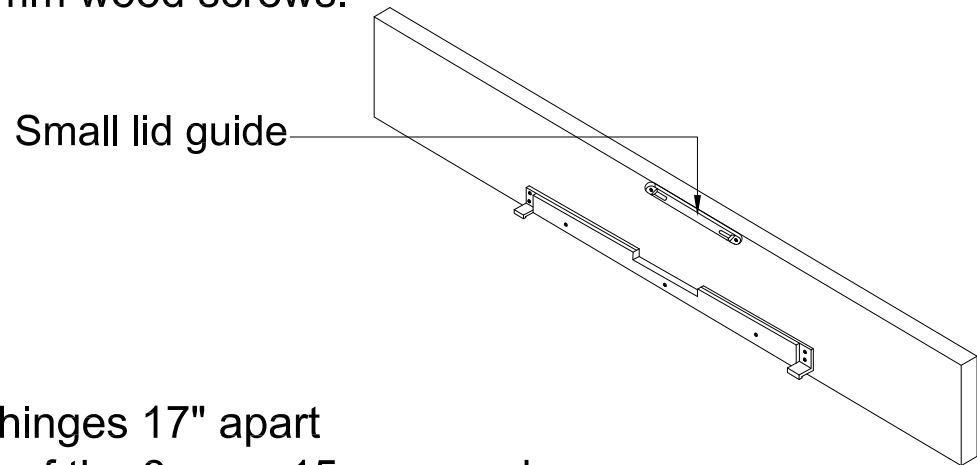
5) Attaching lid hardware.

(NOTE:the lid must 8" in height for it to hinge properly. The lid length should be at least 2" wider than your TV.)

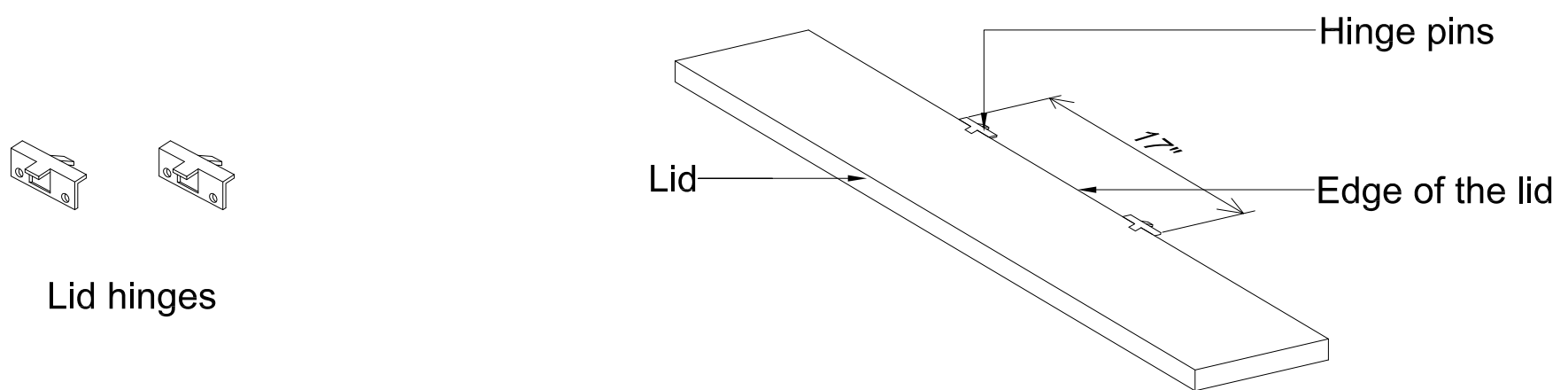
Step 1: Surface mount the large lid hanger on center bottom edge of the underside of lid using 4 of the supplied 4mm x 12mm wood screws.



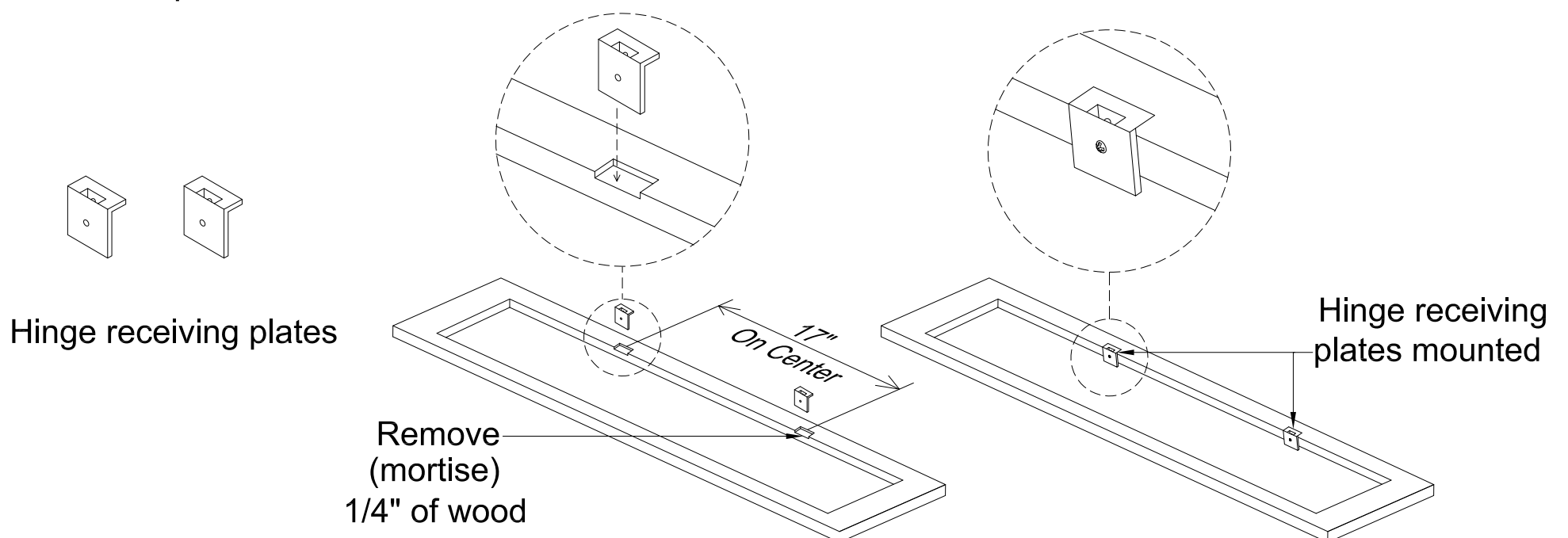
Step 2: Surface mount the small lid guide 1" below the top edge, on center, of the underside of lid using 2 of the supplied 3mm x 15mm wood screws.



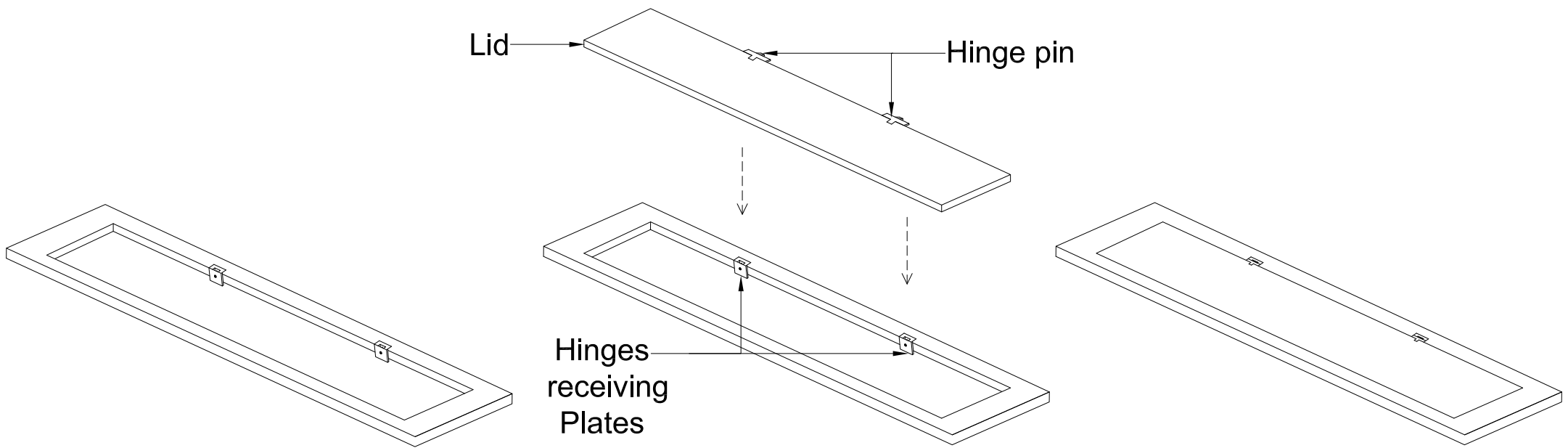
Step 3: Surface mount the pin side of the hinges 17" apart on center back edge of lid using 4 of the 3mm x 15mm wood screws.



Step 4: Surface mount the hinge receiver plates 17" on center of the back fixed portion of the cabinet using 2 of the 3mm x 15mm wood screws
You will need to remove (mortise) 1/4 "of wood below the hinge cup so the hinge pin fits in the cup.



Step 5: Placed the lid onto the fixed cabinet top by inserting the hinge pins into the hinge cups and centering the lid in the opening.

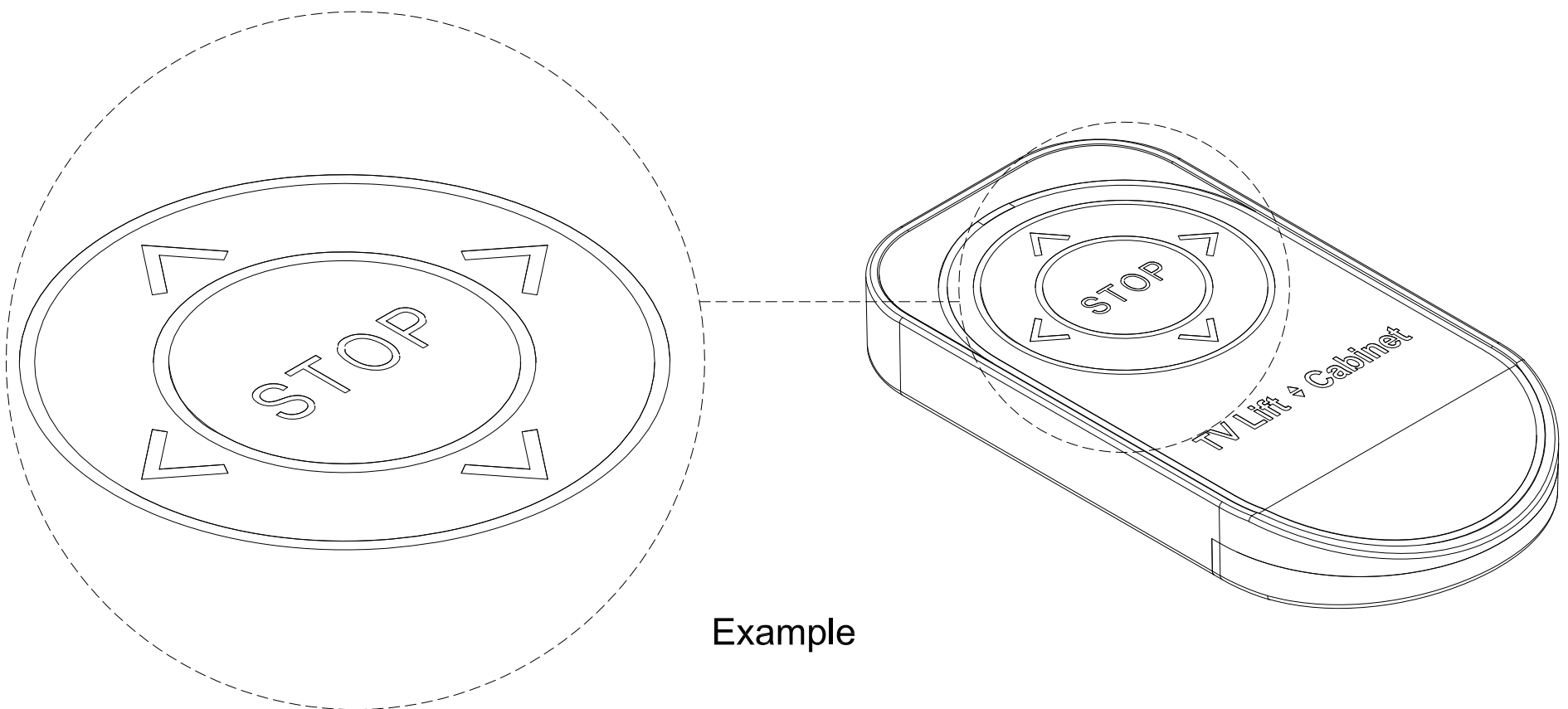


Example top and Lid

Step 6: Test the lift by pressing and releasing the UP button on the remote control. Carefully monitor the top so it does not fall off.

***DO NOT PUSH AND HOLD THE REMOTE CONTROL BUTTONS**

***PUSH AND RELEASE.**

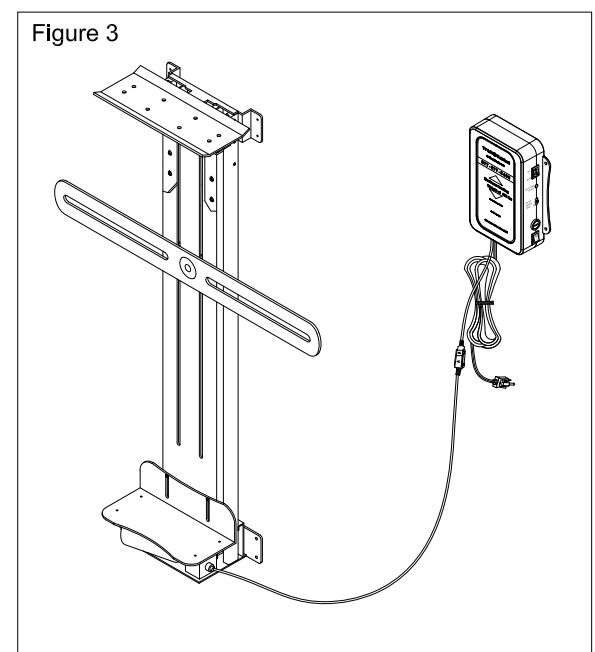
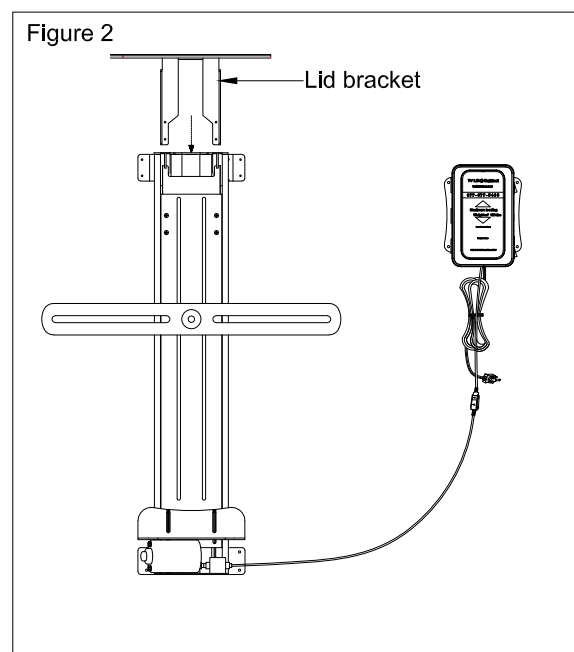
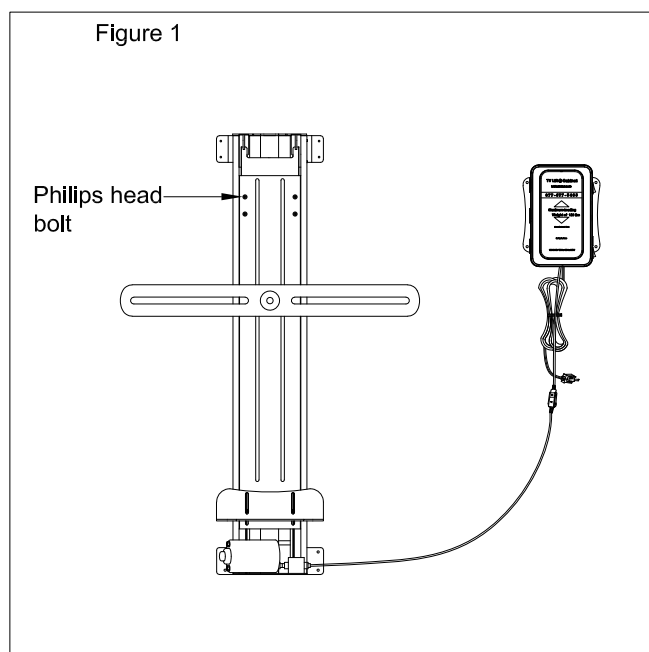
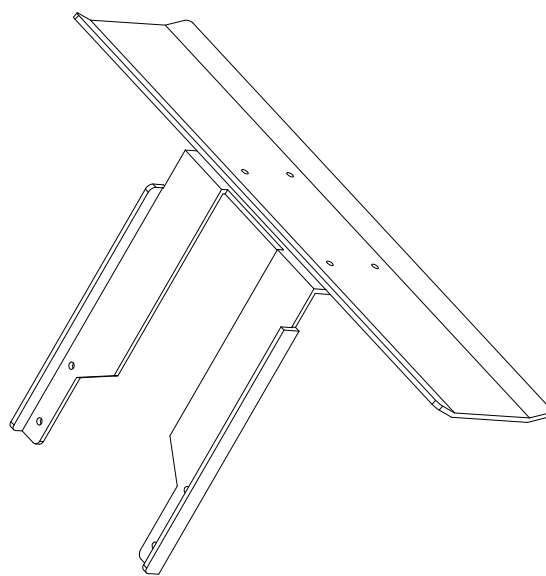


Example

Installing the Optional Fixed Lid Bracket

 **WARNING**

You must design out all pinch points when installing this machine. Keep hands clear during operation. We recommended not fastening your top board to the machine. We recommend Velcro for safety allowing the lid to break away.



1. Loosen the four Philips head bolts (Fig. 1) and remove them.
2. Remove the top hinged lid bracket.
3. Insert the fixed lid bracket and fasten using the four supplied bolts.
4. The completed unit should look like (Fig.3)